

RUVA[®]

裕华滤波器

RUVA EMI Filter



家电·工业·新能源类电源滤波器

Household Appliance·Industry·New Energy-EMI Filter





公司简介

Enterprise Profile

宁国市裕华电器有限公司是一家专注于薄膜电容器和电源滤波器产品的研发、生产、销售及服务于一体的国家级高新技术企业，拥有国内外先进水平的薄膜电容器和电源滤波器生产制造设备和高精度的试验检测设备。公司目前已荣获“安徽省名牌产品”、“安徽省著名商标”、“省认定企业技术中心”、“国家级专精特新‘小巨人’企业”等荣誉，并先后通过ISO9001管理质量体系认证、ISO14001环境管理体系认证、IATF16949质量管理体系认证、武器装备质量管理体系认证，主导产品薄膜系列电容器和电源滤波器先后取得CQC、VDE、TUV、UL、CUL、ENEC、AEC-Q200、ISI等国际权威认证。

自1997年成立以来，公司坚持以市场需求为导向、以技术创新作为企业发展的动力源，培育了一支研发经验丰富、自主创新能力极强的专业研发队伍，拥有多个国家发明和实用新型专利。宁国市裕华电器有限公司是全国电力电子电容器标准化技术委员会委员单位、全国能源行业无功补偿和谐波治理装置标准化技术委员会委员单位，同时也是上述两项标准的主要起草单位。

公司以贴近市场的技术研发、一流的品质和服务、快速灵活的响应速度获得了众多客户的高度认可和好评，在家用电器、电源、工业控制、汽车电子、绿色能源、轨道交通及电子电力等领域取得了骄人的市场业绩，今后我们将在技术创新上进一步提升，牢牢把握产品占据市场前沿技术至高点，不断加大高端智能制造设备的投入，以期在未来的薄膜电容器和电源滤波器领域处于行业领先地位。

“科学管理、追求卓越、竭诚服务、遵信守约”是企业的经营宗旨，争创一流的产品和服务，是公司努力追求的目标；致力于家用电器、工业控制、汽车电子、绿色能源等领域是公司未来发展的方向，前进中的裕华电器愿与各界朋友携手共进，共创美好明天。



AEC-Q200





Ningguo Yuhua Electric Appliance Co., Ltd. is a state-level high-tech enterprise specializing in the research and development, production, sale and service of thin film capacitors and power filter products. It has advanced domestic and foreign film capacitors and power filter production and manufacturing equipment and high precision test and detection equipment. The company has won the honor of "Anhui famous brand products", "Anhui famous trademark", "provincial recognized enterprise technology center", "National 'Little Giant' Enterprise", and has passed the ISO9001 management quality system certification, ISO14001 environmental management system certification, IATF16949 quality management system certification, weapons and equipment quality management system certification, leading products film series capacitors and power filters CQC, VDE, TUV, UL, CUL, ENEC, AEC-Q200, ISI and other international authority certification.

Since its establishment in 1997, the company has adhered to market demand-oriented, technological innovation as the driving force for the development of enterprises, and has cultivated a professional R & D team with rich R & D experience and strong independent innovation ability, with many national invention and utility model patents. Ningguo Yuhua Electric Appliance Co., Ltd. is a member unit of the National Technical Committee for Standardization of Electric Power Electronic Capacitors, a member unit of the National Technical Committee for Standardization of reactive Power Compensation and Wave Control Devices in the Energy Industry, and is also the main drafting unit of the above two standards.

With close to the market technology research and development, first-class quality and service, fast and flexible response speed has been highly recognized and praised by many customers, in household appliances, power, industrial control, automotive electronics, green energy, rail transit and electronic power and other areas have made remarkable market performance, in the future we will further enhance technological innovation, firmly grasp the products occupy the market frontier technology to the high point, constantly increase the investment of high-end intelligent manufacturing equipment, in the future film capacitors and power filters in the industry leading position.

"Scientific management, the pursuit of excellence, dedicated service, compliance with the promise" is the business purpose of the enterprise, strive to create first-class products and services, is the company's goal; committed to household appliances, industrial control, automotive electronics, green energy and other areas are the company's future development direction, the forward Yuhua Electric is willing to work with friends from all walks of life to create a better tomorrow.



企业优势

Advantage ■■■

综合实力：

公司拥有一流的生产制造及检测设备：全自动进口卷绕机、自动喷金机、自动焊接机、全自动灌胶机、全自动半成品检测机、全自动成品检测机等。

公司具备先进的测试设备和实验能力：电容器破坏性试验装置、电容器耐久及温升试验装置、灼热丝试验仪、漏电起痕试验仪、振动试验台、能量散色X荧光光谱仪等；同时公司还拥有完整的EMC电磁兼容屏蔽室和全套进口实验设备，可为客户整机提供传导发射、谐波电流及闪烁、静电放电、电快速瞬变脉冲群、雷击浪涌等测试项目服务和电磁兼容整改测试方案。

权威的认证体系护航：1997年公司成立后通过ISO9001质量管理体系认证、ISO14001环境管理体系认证、IATF16949质量管理体系认证、TS/ISO 22163 轨道交通质量管理体系、武器装备质量管理体系认证，主导产品薄膜系列电容器和电源滤波器先后取得CQC、VDE、TUV、UL、CUL、ENEC、AEC-Q200、ISI等国际权威认证。

高新技术企业：

宁国市裕华电器有限公司是国家级高新技术企业，拥有专业的产品研发团队，平均每年都申请并获得多个专利，目前已拥有四十多项发明及实用新型专利，使得公司在行业中一直处于技术领先地位。

生产经验丰富：

公司成立于1997年1月，拥有二十多年金属化薄膜电容器和滤波器丰富的生产经验，专业生产金属化薄膜电容器和电源滤波器产品。

General Strength:

The company has first-class manufacturing and testing equipment: automatic import winding machine, automatic gold spray machine, automatic welding machine, automatic glue filling machine, automatic semi-finished product testing machine, automatic finished product testing machine, etc.

The company has advanced testing equipment and experimental capability: capacitor destructive test device, capacitor endurance and temperature rise test device, hot wire test instrument, leakage initiation test instrument, vibration test bench, energy dispersive color X fluorescence spectrometer, etc. At the same time, the company also has a complete EMC shielding room and a full set of imported experimental equipment to provide customers with conductive emission, harmonic current and flicker, electrostatic discharge, electric fast variable pulse group, lightning surge test project services and EMC rectification test program.

Authoritative certification system escort: after the establishment of the company in 1997 through ISO9001 management quality system certification, ISO14001 environmental management system certification, IATF16949 quality management system certification, TS/ISO 22163 IRIS certificate, weapons and equipment quality management system certification, leading products film series capacitors and power filters have been CQC, VDE, TUV, UL, CUL, ENEC, AEC-Q200, ISI and other international authority certification.

High-tech Enterprises:

Ningguo Yuhua Electric Appliance Co., Ltd. is a state-level high-tech enterprise, with a professional product research and development team, an average of each year to apply for and obtain a number of patents, has now had more than 40 patents for inventions and utility models, so that the company has been in the leading position in the industry.

Production Experience:

Founded in January 1997, the company has more than 20 years of production experience in metallized film capacitors and filters, specializing in the production of metallized film capacitors and power filter products.

企业环境

■ Enterprise Environment



办公中心
Office Center



产品陈列室
Product Showroom



会议中心
Conference Room



试验检测中心
Testing Center



先进设备

Advanced Equipment

工欲善其事，必先利其器。

为确保产品质量的达标，裕华购置了一系列行业先进的生产设备和测试设备，形成完备规范的生产线，为制造高质量的产品奠定了坚实的基础。

To do good work, must first sharpen his tools.

To ensure the product quality, YUHUA has invarious advance manufacturing and testing equipments. Meanwhile, YUHUA has set up complete standardized production lines to make sure we can provide the excellent quality product to customer.

工作环境 Work Environment



生产设备 Production Equipment



全自动喷金机
Automatic Spraying Machine



全自动切膜机
Automatic Film Splitting Machine



全自动卷绕机
Automatic Winding Machine



全自动卷绕机
Automatic Winding Machine



全自动半成品检测机
Automatic Testing Machine Of Semi-finished Product



成品自动测试机
Automatic Testing Machine of Finished Product

合作客户

Customer

家用电器客户 Customers Of Household Appliance

美的 Midea

MELING 美菱

Hisense

YAIR 扬子空调

Haier

GMCC 美芝

Wanbao 万宝

华意压缩

AUCMA 澳柯玛

Nidec 尼得科

LG Life's Good

jiaxipeta 加西贝拉

钱江制冷集团

arcelik

DONPER 东贝 中国驰名商标

Whirlpool 惠而浦

TCL

TOSHIBA 东芝

СЭТЗ ЭЛЕКТРОМЕРА

VESTEL

电力电子客户 Customers Of Power Electronics

FGI 新风光

上海电气 SHANGHAI ELECTRIC

泰开

XD 中国西电 CHINA XD

MINGYANG ELECTRIC 明阳电气

NANCAL 能科科技

AOTAI 奥太电气

Sieyuan 思源电气

EFORT 埃伏特智能装备

HOTEAM 山大华天

RXPE 荣信兴业

SUNGROW 阳光电源

JEE 巨一动力

MEGMEET 麦格米特

V&T 蓝海华腾

中国中车 CRRC

CSIC 中船重工

HTE 海得新能源

绿控传动 www.lvkon.com

Enpower 英搏尔 电动汽车系统解决方案供应商

添蓝动力 CYAI POWER

中国兵器工业集团有限公司

中国兵器工业集团有限公司

ILITEK I Love Innovation 奕力科技

INOVANCE 汇川技术

PROTEAN

SOARING 索英电气

鑫国动力 XINGUOPOWER

认证证书

Certificate

裕华电器全面执行ISO14001, ISO9001, GJB9001, ISO/TS 22163及IATF16949管理体系并获证。
Yuhua fully implements various management systems, such as ISO14001, ISO9001, GJB9001, ISO/TS 22163 and IATF16949 and acquired the certificates.

- ISO14001, ISO9001, GJB9001, ISO/TS 22163, IATF 16949



● CQC, VDE, TUV, UL, CUL, ENEC, AEC-Q200, ISI



VDE Prüf- und Zertifizierungsinstitut



荣誉证书

Honor



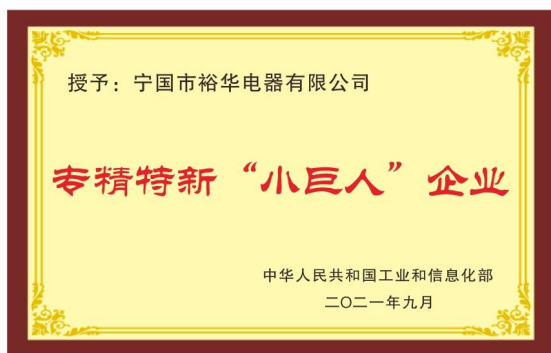
安徽省名牌产品
Famous-brand Products
In Anhui Province



高新技术企业
High-tech Enterprise



CNAS国家认证实验室
CNAS certified laboratory



专精特新“小巨人”企业
National 'Little Giant' Enterprise



安徽名牌
Anhui Famous Brand



安徽名牌产品
Anhui Famous Brand
Product Certificate



安徽省著名商标
Anhui Famous Brand



高新技术企业证书
High-tech Enterprise Certificate



市长质量奖
Mayor Quality Awards



信息化与工业化融合示范企业
Informatization and Industrialization
Integration Demonstration Enterprise



省认定企业技术中心
Provincial Enterprise
Technology Center



中国电子元件行业协会理事单位
Director Unit of China Electronic
Components Association

电源滤波器的原理及其作用

■ The Principle and Function of Power Line Filter

电源滤波器，又名“EMI滤波器”，是一种无源双向网络（一端是电源，另一端是负载），可以对电源中特定频率的频点或该频点以外的频率进行有效滤除的电气设备。电源滤波器的原理是一种阻抗失配网络：电源滤波器输入、输出侧与电源和负载侧的阻抗失配越大，对电磁干扰的衰减就越有效。

电源滤波器的作用是使设备能够满足电磁兼容标准中对设备传导发射的要求，如：GB4343.1《家用电器、电动工具和类似器具的电磁兼容要求 第1部分：发射》、GB4824《工业科学和医疗（ISM）射频设备的骚扰特性限值和测量方法》、GB9254《信息技术设备的无线电骚扰限值和测量方法》。

电源滤波器是一种低通滤波器，它允许直流或50Hz的工作电流通过，而不允许频率较高的电磁干扰电流通过。电源滤波器是双向的，它既能防止电网上的干扰进入设备，滤除电网干扰对设备产生不良的影响，使设备满足敏感度的要求；又能防止设备自身产生的电磁干扰传到电网，满足传导发射的要求。

能够产生较强干扰的设备和对外界干扰高度敏感的设备都需要用到滤波器，比如产生强干扰的设备有：含有脉冲电路(微处理器)的设备、使用开关电源的设备、使用可控硅的设备、变频调速设备、含有马达（电机）的设备等；对外界干扰高度敏感的设备有：使用微处理器的设备、小信号模拟电路等。

Power line filter, also named EMI filter, which is a passive two-way networks (one end is the power supply and another end is load), is an electrical equipment that can effectively filter out the frequencies at specific frequency in the power supply or frequencies outside the frequency. The principle of the power line filter is an impedance mismatch network: the greater the impedance mismatch between the input and output sides of the power line filter and the power supply and load side, the more effective the attenuation of electromagnetic interference is.

The function of EMI filter is to enable the device to meet the requirements for conducted emissions from equipment in the EMC standard, such as, GB4343.1 "Electromagnetic Compatibility-Requirements for Household Appliances, Electric Tools and Similar Apparatus-Part 1: Emission", GB4824 "Industrial, Scientific and Medical (ISM) Radio-frequency Equipment-Disturbance Characteristics-limits and Methods of Measurement", GB9254 "Information Technology Equipment-radio Disturbance Characteristics-limits and Methods of Measurement".

EMI filter is a low pass filter, that allows DC or 50Hz operating current to pass without allowing higher frequency EMI currents to pass. The EMI filter is bidirectional. It can prevent the interference on the power grid from entering the equipment, filter out the adverse effects of the power grid interference on the equipment, and make the equipment meet the sensitivity requirements. It can also prevent the electromagnetic interference generated by the equipment itself from being transmitted to the power grid and meet the requirements of conducted emissions.

Filters can be used for devices that generate strong interference and devices that are highly sensitive to external disturbances. For example, devices that generate strong interference includes: devices with pulse circuits (microprocessors), devices that use switching power supply and the silicon controlled equipment, frequency conversion speed control equipment, equipment containing motors, etc.; equipment sensitive to external interference includes: equipment using microprocessors, small signal analog circuits, etc.



通用型滤波器型号编制原则

Universal Filter Modeling Principle ■■■

J 2 1 1 - 3 A - S - 01

区分交流或直流产品
Differentiate between AC and DC products
 J:代表交流产品
 J: stands for AC product
 Z:代表直流产品
 Z: stands for DC product

区分单相或三相产品
Differentiate between single-phase and three-phase product
 2:代表单相产品
 2: stands for single-phase product
 3:代表三相三线产品 (不带中线)
 3: stands for three-phase three-wire (without neutral) product
 4:代表三相四线产品 (带中线)
 4: stands for three-phase four-wire (with neutral) product

区分产品电路图
Differentiate circuit diagram
 0~9: 分别代表不同电路图种类
 0~9: stands for different kinds of circuit diagram

区分产品接线方式
Differentiate connection modes
 1: 代表出线方式为6.35 × 0.8标准插片
 1: stands for outlet mode as 6.35*0.8 terminal
 2: 代表出线方式为导线
 2: stands for outlet mode as wire
 3: 代表出线方式为螺杆
 3: stands for outlet mode as screw
 4: 代表出线方式为欧式穿墙端子
 4: stands for outlet mode as european through-wall terminals
 5: 代表出线方式为端子台
 5: stands for outlet mode as terminal block
 6: 代表出线方式为铜排
 6: stands for outlet mode as copper plate
 7: 代表出线方式为其他
 7: stands for outlet mode as others
 P: 代表产品为线路板式
 P: stands for circuit board

区分客户产品
Differentiate customer's product
 空格或00~99: 代表客户流水号
 Space or 00~99: stands for customer's serial number

区分产品外形尺寸
Differentiate products' outline size
 空格或A~Z: 代表产品外形尺寸
 Space or A~Z: stands for outline size

区分产品额定电感量
Differentiate rated inductance
 A~Z: 代表产品额定电感量
 A~Z: stands for rated inductance

区分产品额定电流
Differentiate rated current
 0~数千: 代表产品实际额定电流值
 0~thousands: stands for actual rated current value



● 白色家电通用型电源滤波器 YHDQ-GT-XX Universal EMI Filter in White Goods	01
● 单相电抗器系列 5.F.DK.XXXX Single-phase Reactor Series	03
● 单相单极通用型滤波器 J211/J212系列 Single-phase Single-pole Universal Filter	05
● 单相单极通用型滤波器 J221/J222系列 Single-phase Single-pole Universal Filter	07
● 单相单极通用型滤波器 J231/J232系列 Single-phase Single-pole Universal Filter	09
● 单相多极通用型滤波器 J241/J242系列 Single-phase Multi-pole Universal Filter	11
● 单相多极通用型滤波器 J251/J252系列 Single-phase Multi-pole Universal Filter	13
● 单相多极通用型滤波器 J261/J262系列 Single-phase Multi-pole Universal Filter	15
● 单相多极通用型滤波器 J271/J272系列 Single-phase Multi-pole Universal Filter	17
● 单相多极通用型滤波器 J281/J282系列 Single-phase Multi-pole Universal Filter	19
● 单相谐波滤波器 J291/J292系列 Single-phase Harmonic Filter	21
● 三相三线电梯/扶梯滤波器 YHDQ-J354-XX Three-phase Three-wire Elevator / Escalator Filter	23
● 三相四线电梯/扶梯滤波器 YHDQ-J454-XX Three-phase Four-wire Elevator / Escalator Filter	25
● 线圈系列 5.F.XQ.XXXX Coil Series	27



白色家电通用型电源滤波器

YHDQ-GT-XX

Universal EMI Filter in White Goods

特点与用途

- ◆低泄漏电流,结构小巧紧凑,便于安装;
- ◆150K~30MHz卓越的EMI滤波性能;
- ◆广泛应用于冰箱、洗衣机、冷柜、空调、洗碗机等家电系列产品。

Features & Applications

- ◆Low leakage current,compact instructure and easy for installing.
- ◆Excellent performance of EMI filter (150K~30MHz).
- ◆Widely applied in household appliances, such as refrigerator, washing machine,freezer, air-conditioning, dish washer, etc.



认证 Certification

	中国 China	CQC 19001221487		欧盟 European Union	R50437711
--	-------------	-----------------	--	----------------------	-----------

技术参数 Technical Parameter

额定电流 Rated current	1A~16A@40°C
额定电压 Rated voltage	0~250Vac
泄漏电流 Leakage current	120VAC 50Hz:0.75mA Max 250VAC 50Hz:1.50mA Max

绝缘电阻 Insulation resistance	线-地(L-G) 500VDC ≥ 100MΩ
高压测试 High-voltage test	线-线(L-L) 1075 VDC 1min 线-地(L-G) 2000 VAC 1min
工作频率 Operating frequency	50/60Hz

电路原理图 Circuit Schematic

YHDQ-GT系列产品的编码定义
Code Definition of YHDQ-GT series

YHDQ-GT-XX

说明: YHDQ-GT: 裕华电器产品系列编号

Remark:YHDQ-GT:YUHUA product code

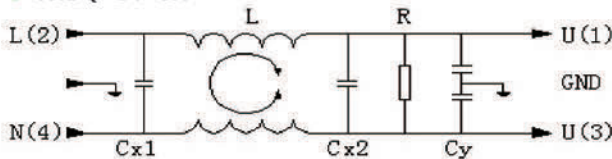
第1个X: 表示电路图(可使用数字0~9表示)

The first X: electrical schematic(0~9)

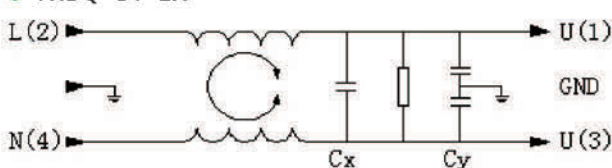
第2个X:customer's identify number (A~Z or 0~9 or space)

第2个X: 表示客户识别号(可使英文字母A~Z或数字0~9或空格表示)

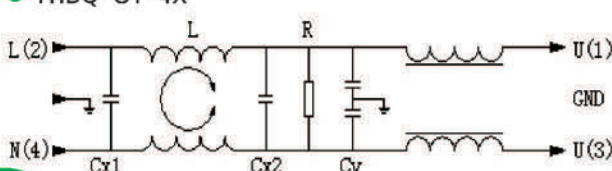
● YHDQ-GT-0X



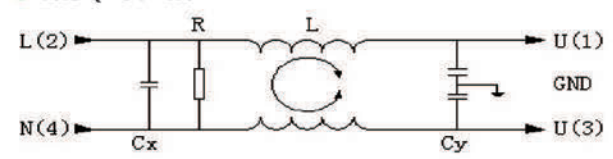
● YHDQ-GT-2X



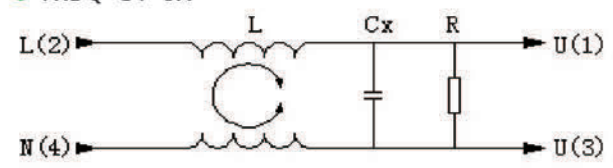
● YHDQ-GT-4X



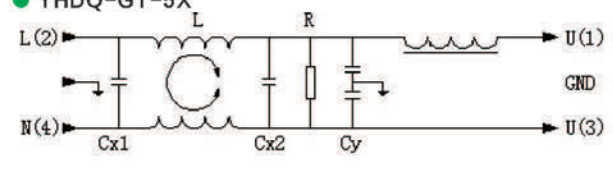
● YHDQ-GT-1X



● YHDQ-GT-3X

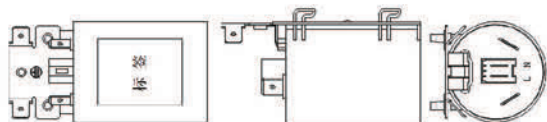


● YHDQ-GT-5X

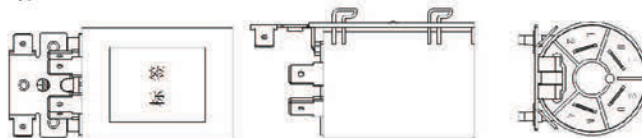


外形图 Outline Drawing

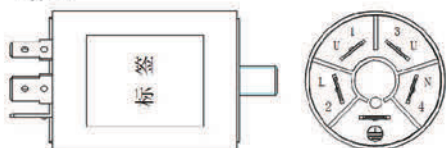
● 类型 A
Type A



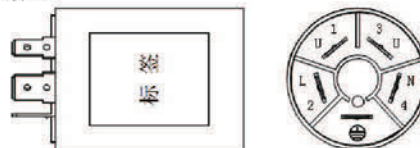
● 类型 B
Type B



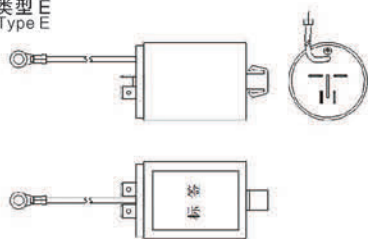
● 类型 C
Type C



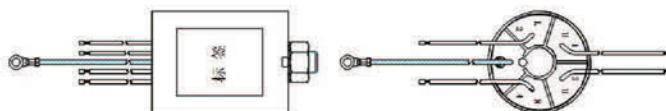
● 类型 D
Type D



● 类型 E
Type E



● 类型 F
Type F



常用规格 Specification

常用型号 Common Type	L1 mH	Cx1 μ F	Cx2 μ F	CY μ F	R k Ω	适用外形 Suitable Shape	额定电流 (A) Rated Current
YHDQ-GT-0X	0.5~10mH	0.1~1 μ F	0.1~1 μ F	0~27nF	0~2200k Ω	A,B,C,D,E,F	1, 3, 6, 8 10, 12, 16
YHDQ-GT-1X	0.5~10mH	0.1~1 μ F	/	0~27nF	0~2200k Ω	A,B,C,D,E,F	1, 3, 6, 8 10, 12, 16
YHDQ-GT-2X	0.5~10mH	/	0.1~1 μ F	0~27nF	0~2200k Ω	A,B,C,D,E,F	1, 3, 6, 8 10, 12, 16
YHDQ-GT-3X	0.5~10mH	/	0.1~1 μ F	/	0~2200k Ω	A,B,C,D,E,F	1, 3, 6, 8 10, 12, 16
YHDQ-GT-4X	0.5~10mH	0.1~1 μ F	0.1~1 μ F	0~27nF	0~2200k Ω	F	1, 3, 6, 8, 10
YHDQ-GT-5X	0.5~10mH	0.1~1 μ F	0.1~1 μ F	0~27nF	0~2200k Ω	E,F	1, 3, 6, 8, 10

备注:

- 1、表中所列尺寸为公司常用规格尺寸，其他规格尺寸均可按照客户要求生产；
- 2、表中数据若有更改恕不另行通知；
- 3、可提供整机EMC整改测试方案和技术支持。

REMARKS:

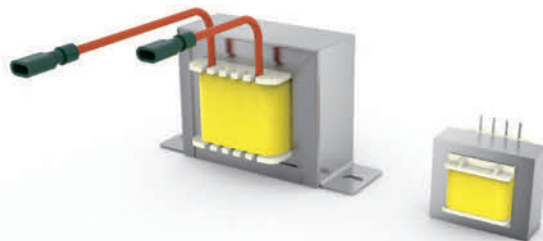
- 1.The dimension on the above chart is our common specifications, we can produce as customer's requests.
- 2.The datas are subject to change without notice.
- 3.We can recommend the selection and provide the EMC rectification test solutions and technical supports.

单相电抗器系列 5.F.DK.XXXX

Single-phase Reactor Series

特点与用途

- ◆ Ei叠层铁芯，使用氩弧焊接或骑马夹固定；
- ◆ 体积小紧凑、低噪声、温升低；
- ◆ 高效抑制或补偿谐波电流，提高PFC功率因素；
- ◆ 广泛应用于家用电器、健身和跑步机设备等（可与EMI滤波器组合使用）。



Features & Applications

- ◆ Ei laminated core and fixed by argon arc welding or riding clip.
- ◆ Small product size, low sound, low temperature rise.
- ◆ Efficiently suppress or compensate harmonic currents and increase PFC power factor.
- ◆ Widely applied in home appliances, fitness and treadmill equipment (can be combined with EMI filters).

技术参数 Technical Parameter

电感量 Inductance	1mH~15mH
电 流 Current	1A~15A
材料等级 Class of material	130°C
电路图 Circuit diagram	

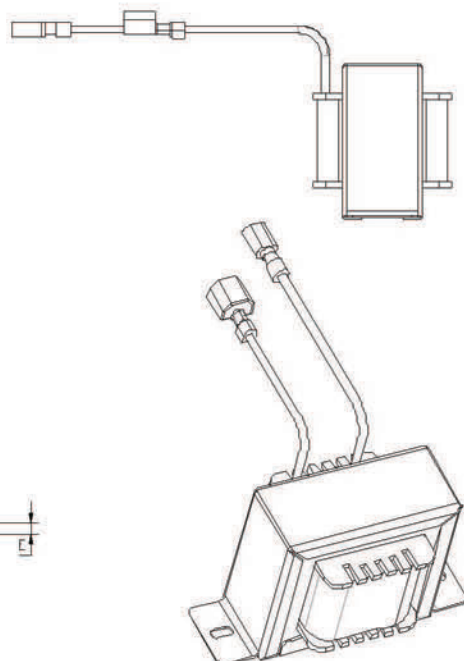
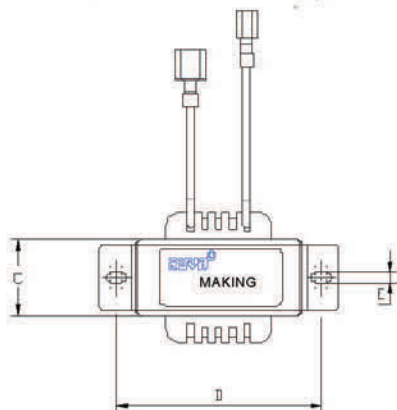
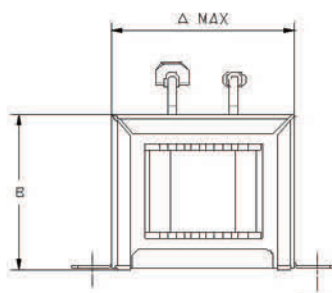
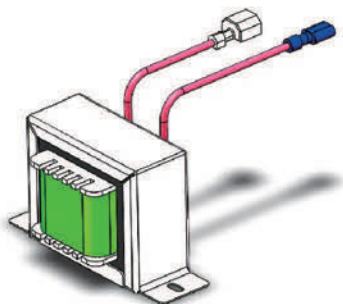
铁芯尺寸 Size of metal core 见规格表 See the size table

工作频率 Operating frequency 50/60Hz

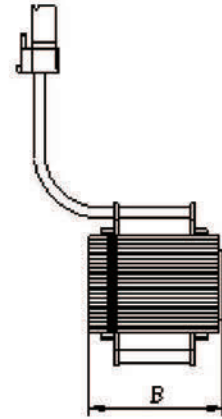
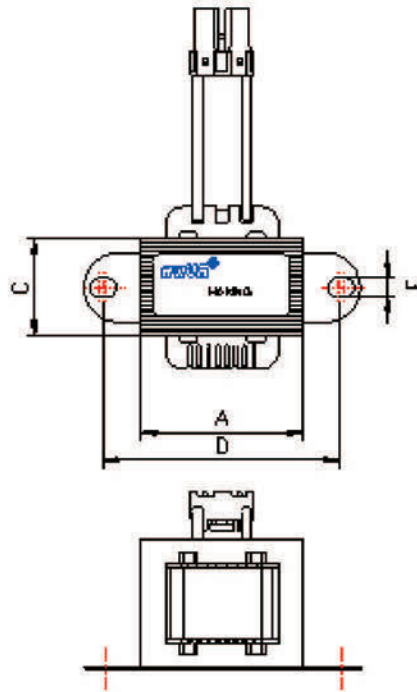
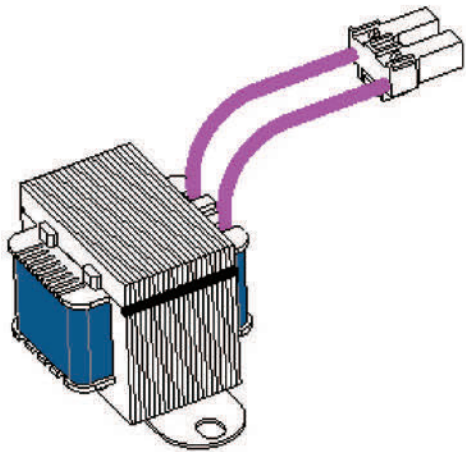
注：带*型号为氩弧焊结构，没有骑马夹。
Remark: The model marked with "*" is argon arc welded structure and without riding clip.

外形图 Outline Drawing

● 类型 A
Type A



● 类型 B
Type B



常用规格
Specification

常用型号 Common Type	类型 Type	硅钢片 Silicon Lamination	电感量 Inductance (mH)	电流 Current (A)	A	B	C	D	E
5.F.DK.0001	A	EI-28	1-3	1-2	32	28	10-20	60	4.8
5.F.DK.0002	A	EI-41	1-5	2-6	45	36	20-30	60	4.8
5.F.DK.0003	A	EI-48	1-5	2-6	52	42	20-30	62	4.8
5.F.DK.0004	A	EI-57	1-8	4-8	61	50	20-30	70	4.8
5.F.DK.0005	A	EI-66	1-8	4-8	70	57	20-32	79	4.8
5.F.DK.0006	A	EI-76	1-10	6-10	80	66	20-35	90	4.8
5.F.DK.0007	B	EI-41	2.5-5	2-6	41	33	20-30	60	5
5.F.DK.0008	B	EI-48	2.5-5	2-8	48	40	21-30	60	5
5.F.DK.0009	B	EI-57	2.5-5	6-10	57	48	20-30	70	5
5.F.DK.0010	B	EI-66	4-8	6-10	66	55	20-32	79	5
5.F.DK.0011	B	EI-76	4-10	6-15	76	64	20-35	90	5

备注:

- 1、表中列尺寸为公司常用规格尺寸，其他规格尺寸均可按照客户要求生产；
- 2、可根据客户要求定制电抗器；
- 3、我司可推荐选型，并提供谐波抑制和处理方案及技术支持。

REMARKS:

- 1.The dimension on the above chart is our common specifications, we can produce as customer's requests.
- 2.The reactor can be customized according to customer's requests.
- 3.We can recommend the selection and provide the harmonic suppression, solutions and technical supports.



单相单极通用型滤波器 J211/J212系列

Single-phase Single-pole Universal Filter ■■■

特点与用途

- ◆ 单相单极通用型交流滤波器;
- ◆ 结构简单、体积小、安装方便;
- ◆ J211为标准插片引出方式, J212为导线引出方式;
- ◆ 该系列滤波器可广泛应用于开关电源、小型工业自动化控制设备、办公设备以及数据通信设备等; 超低泄露电流产品还可以满足医疗器械设备要求。

Features & Applications

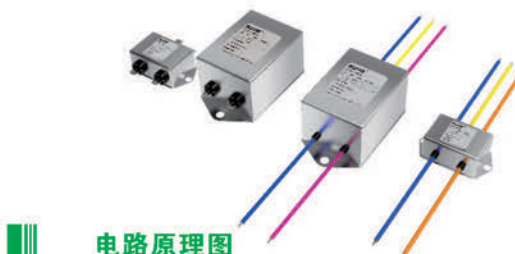
- ◆ Single-phase Single-pole Universal AC-filter.
- ◆ Simple structure, small size, easy for installing.
- ◆ J211 is the terminal outlet type, J212 is the wire outlet type.
- ◆ This series of filters can be widely used in switching mode power supply, small industrial automation control equipments, office equipments and datacom equipments; ultra-low leakage current products can also meet requirements of medical equipments.

认证 Certification

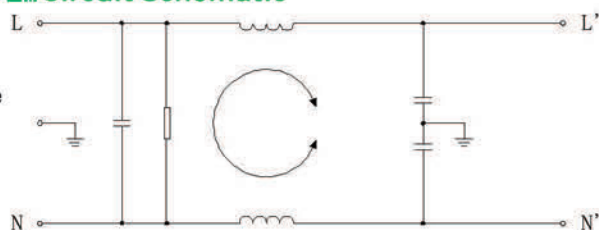
	美国/加拿大 USA/Canada	E515376		欧洲 Europe	ENEC-03607
--	----------------------	---------	--	--------------	------------

技术参数 Technical Parameter

额定电流 Rated current	3 ~ 20A@40°C
额定电压 Rated voltage	0 ~ 250VAC
气候类别 Climatic category	25/100/21



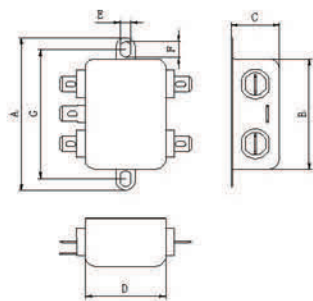
电路原理图 Circuit Schematic



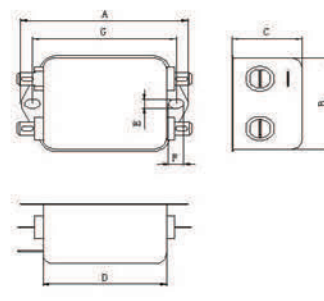
泄漏电流 Leakage current	标准泄露电流 Standard leakage current < 2.5mA@250VAC 低泄露电流 Low leakage current < 0.5mA@250VAC
高压测试 High-voltage test	线-线(L-L) 1450 VDC 1min 线-地(L-G) 2000 VAC 1min
工作频率 Operating frequency	50/60 Hz

外形图 Outline Drawing

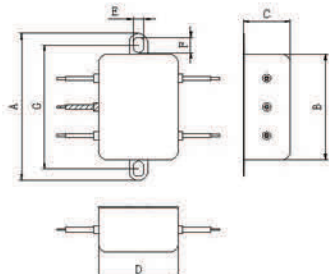
● 类型 A Type A



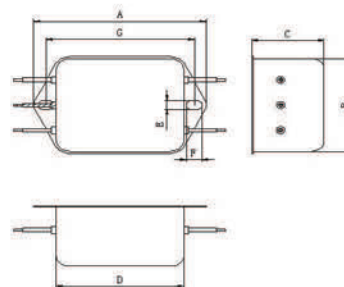
● 类型 B Type B



● 类型 C Type C



● 类型 D Type D



常用规格 Specification

常用型号 Common Type	额定电流 Rated Current	A (mm)	B (mm)	C (mm)	D (mm)	E (mm)	F (mm)	G (mm)	适用外形 Suitable Shape
J211-3X-S-XX	3A	62	46	22	32	5.3	6.3	54	A
J211-6X-S-XX	6A	62	46	22	32	5.3	6.3	54	A
J211-3X-M-XX	3A	85	52	38	63	5.3	6.3	75	B
J211-6X-M-XX	6A	85	52	38	63	5.3	6.3	75	B
J211-10X-M-XX	10A	85	52	38	63	5.3	6.3	75	B
J211-16X-M-XX	16A	85	52	38	63	5.3	6.3	75	B
J211-20X-M-XX	20A	85	52	38	63	5.3	6.3	75	B
J211-3X-L-XX	3A	96	55	45	75	5.3	6.3	87	B
J211-6X-L-XX	6A	96	55	45	75	5.3	6.3	87	B
J211-10X-L-XX	10A	96	55	45	75	5.3	6.3	87	B
J211-16X-L-XX	16A	96	55	45	75	5.3	6.3	87	B
J211-20X-L-XX	20A	96	55	45	75	5.3	6.3	87	B
J212-3X-S-XX	3A	62	46	22	32	5.3	6.3	54	C
J212-6X-S-XX	6A	62	46	22	32	5.3	6.3	54	C
J212-3X-M-XX	3A	85	52	38	63	5.3	6.3	75	D
J212-6X-M-XX	6A	85	52	38	63	5.3	6.3	75	D
J212-10X-M-XX	10A	85	52	38	63	5.3	6.3	75	D
J212-16X-M-XX	16A	85	52	38	63	5.3	6.3	75	D
J212-20X-M-XX	20A	85	52	38	63	5.3	6.3	75	D
J212-3X-L-XX	3A	96	55	45	75	5.3	6.3	87	D
J212-6X-L-XX	6A	96	55	45	75	5.3	6.3	87	D
J212-10X-L-XX	10A	96	55	45	75	5.3	6.3	87	D
J212-16X-L-XX	16A	96	55	45	75	5.3	6.3	87	D
J212-20X-L-XX	20A	96	55	45	75	5.3	6.3	87	D

备注:

1. “X”代表实际滤波电感，可用字母A~Z表示；
2. “XX”代表客户流水号，可用空格或数字00~99代替；
- 3.表中所列尺寸为公司常用规格尺寸，其他规格尺寸均可按照客户要求生产；
- 4.表中数据若有更改恕不另行通知；
- 5.我司可帮忙推荐选型，并提供整机EMC解决方案及技术支持。

REMARKS:

1. “X” stands for the actual filter inductance, which can be represented by the letters A~Z.
2. “XX” stands for the customer’s serial number, which can be replaced by space or number 00~99.
3. The size listed on the table are our common size, other size can be produced according to customer’s requirements.
4. The data in the table are subjected to change without notice.
5. We can help to recommend the selection and provide the EMC solutions and technical supports for the machine.



单相单极通用型滤波器 J221/J222系列

Single-phase Single-pole Universal Filter ■■■

特点与用途

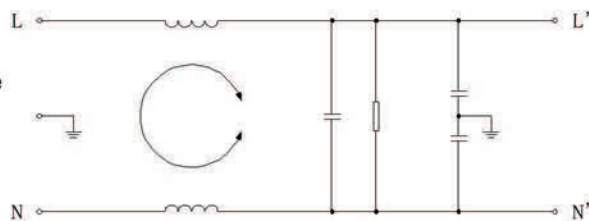
- ◆ 单相单极通用型交流滤波器;
- ◆ 结构简单、体积小、安装方便;
- ◆ J221为标准插片引出方式, J222为导线引出方式;
- ◆ 该系列滤波器可广泛应用于开关电源、小型工业自动化控制设备、办公设备以及数据通信设备等; 超低泄露电流产品还可以满足医疗器械设备要求。

Features & Applications

- ◆ Single-phase Single-pole Universal AC-filter.
- ◆ Simple structure, small size, easy for installing.
- ◆ J221 is the terminal outlet type, J222 is the wire outlet type.
- ◆ This series of filters can be widely used in switching mode power supply, small industrial automation control equipments, office equipments and datacom equipments; ultra-low leakage current products can also meet requirements of medical equipments.



电路原理图 Circuit Schematic



认证 Certification

	美国/加拿大 USA/Canada	E515376		欧洲 Europe	ENEC-03607
--	----------------------	---------	--	--------------	------------

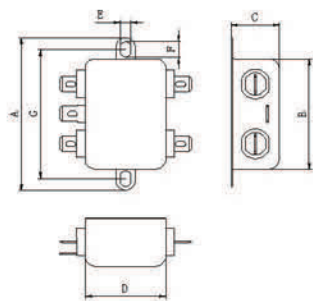
技术参数 Technical Parameter

额定电流 Rated current	3 ~ 20A@40°C
额定电压 Rated voltage	0 ~ 250VAC
气候类别 Climatic category	25/100/21

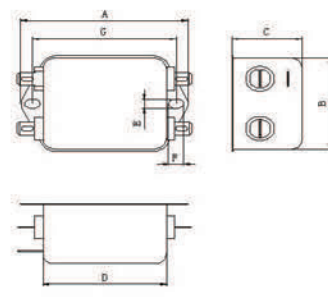
泄漏电流 Leakage current	标准泄露电流 Standard leakage current < 2.5mA@250VAC 低泄露电流 Low leakage current < 0.5mA@250VAC
高压测试 High-voltage test	线-线(L-L) 1450 VDC 1min 线-地(L-G) 2000 VAC 1min
工作频率 Operating frequency	50/60 Hz

外形图 Outline Drawing

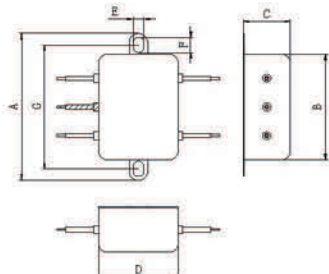
● 类型 A Type A



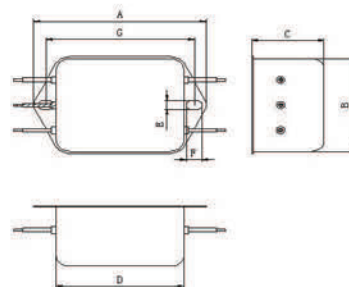
● 类型 B Type B



● 类型 C Type C



● 类型 D Type D



常用规格 Specification

常用型号 Common Type	额定电流 Rated Current	A (mm)	B (mm)	C (mm)	D (mm)	E (mm)	F (mm)	G (mm)	适用外形 Suitable Shape
J221-3X-S-XX	3A	62	46	22	32	5.3	6.3	54	A
J221-6X-S-XX	6A	62	46	22	32	5.3	6.3	54	A
J221-3X-M-XX	3A	85	52	38	63	5.3	6.3	75	B
J221-6X-M-XX	6A	85	52	38	63	5.3	6.3	75	B
J221-10X-M-XX	10A	85	52	38	63	5.3	6.3	75	B
J221-16X-M-XX	16A	85	52	38	63	5.3	6.3	75	B
J221-20X-M-XX	20A	85	52	38	63	5.3	6.3	75	B
J221-3X-L-XX	3A	96	55	45	75	5.3	6.3	87	B
J221-6X-L-XX	6A	96	55	45	75	5.3	6.3	87	B
J221-10X-L-XX	10A	96	55	45	75	5.3	6.3	87	B
J221-16X-L-XX	16A	96	55	45	75	5.3	6.3	87	B
J221-20X-L-XX	20A	96	55	45	75	5.3	6.3	87	B
J222-3X-S-XX	3A	62	46	22	32	5.3	6.3	54	C
J222-6X-S-XX	6A	62	46	22	32	5.3	6.3	54	C
J222-3X-M-XX	3A	85	52	38	63	5.3	6.3	75	D
J222-6X-M-XX	6A	85	52	38	63	5.3	6.3	75	D
J222-10X-M-XX	10A	85	52	38	63	5.3	6.3	75	D
J222-16X-M-XX	16A	85	52	38	63	5.3	6.3	75	D
J222-20X-M-XX	20A	85	52	38	63	5.3	6.3	75	D
J222-3X-L-XX	3A	96	55	45	75	5.3	6.3	87	D
J222-6X-L-XX	6A	96	55	45	75	5.3	6.3	87	D
J222-10X-L-XX	10A	96	55	45	75	5.3	6.3	87	D
J222-16X-L-XX	16A	96	55	45	75	5.3	6.3	87	D
J222-20X-L-XX	20A	96	55	45	75	5.3	6.3	87	D

备注:

1. “X”代表实际滤波电感，可用字母A~Z表示；
2. “XX”代表客户流水号，可用空格或数字00~99代替；
- 3.表中所列尺寸为公司常用规格尺寸，其他规格尺寸均可按照客户要求生产；
- 4.表中数据若有更改恕不另行通知；
- 5.我司可帮忙推荐选型，并提供整机EMC解决方案及技术支持。

REMARKS:

1. “X” stands for the actual filter inductance, which can be represented by the letters A~Z.
2. “XX” stands for the customer’s serial number, which can be replaced by space or number 00~99.
3. The size listed on the table are our common size, other size can be produced according to customer’s requirements.
4. The data in the table are subjected to change without notice.
5. We can help to recommend the selection and provide the EMC solutions and technical supports for the machine.



单相单极通用型滤波器 J231/J232系列

Single-phase Single-pole Universal Filter ■■■

特点与用途

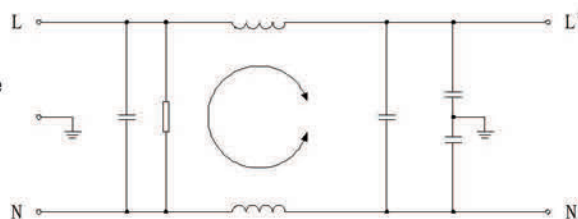
- ◆ 单相单极通用型交流滤波器;
- ◆ 结构简单、体积小、安装方便;
- ◆ J231为标准插片引出方式, J232为导线引出方式;
- ◆ 该系列滤波器可广泛应用于开关电源、小型工业自动化控制设备、办公设备以及数据通信设备等; 超低泄露电流产品还可以满足医疗器械设备要求。

Features & Applications

- ◆ Single-phase Single-pole Universal AC-filter.
- ◆ Simple structure, small size, easy for installing.
- ◆ J231 is the terminal outlet type, J232 is the wire outlet type.
- ◆ This series of filters can be widely used in switching mode power supply, small industrial automation control equipments, office equipments and datacom equipments; ultra-low leakage current products can also meet requirements of medical equipments.



电路原理图 Circuit Schematic



认证 Certification



美国/加拿大
USA/Canada

E515376



欧洲
Europe

ENEC-03607

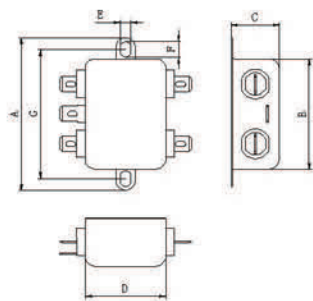
技术参数 Technical Parameter

额定电流 Rated current	3 ~ 20A@40°C
额定电压 Rated voltage	0 ~ 250VAC
气候类别 Climatic category	25/100/21

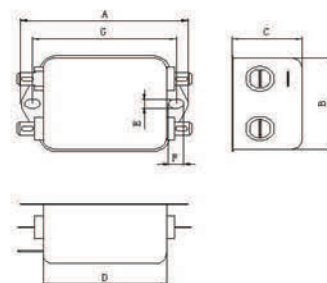
泄漏电流 Leakage current	标准泄露电流 Standard leakage current < 2.5mA@250VAC 低泄露电流 Low leakage current < 0.5mA@250VAC
高压测试 High-voltage test	线-线(L-L) 1450 VDC 1min 线-地(L-G) 2000 VAC 1min
工作频率 Operating frequency	50/60 Hz

外形图 Outline Drawing

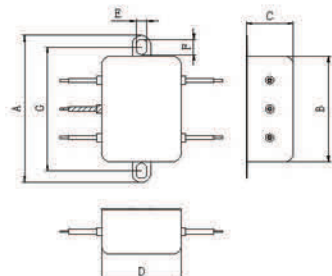
● 类型 A Type A



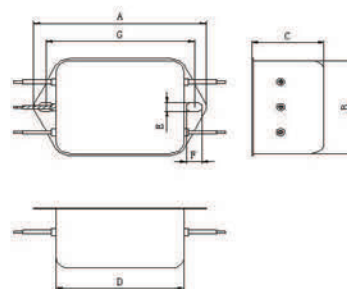
● 类型 B Type B



● 类型 C Type C



● 类型 D Type D



常用规格 Specification

常用型号 Common Type	额定电流 Rated Current	A (mm)	B (mm)	C (mm)	D (mm)	E (mm)	F (mm)	G (mm)	适用外形 Suitable Shape
J231-3X-S-XX	3A	62	46	22	32	5.3	6.3	54	A
J231-6X-S-XX	6A	62	46	22	32	5.3	6.3	54	A
J231-3X-M-XX	3A	85	52	38	63	5.3	6.3	75	B
J231-6X-M-XX	6A	85	52	38	63	5.3	6.3	75	B
J231-10X-M-XX	10A	85	52	38	63	5.3	6.3	75	B
J231-16X-M-XX	16A	85	52	38	63	5.3	6.3	75	B
J231-20X-M-XX	20A	85	52	38	63	5.3	6.3	75	B
J231-3X-L-XX	3A	96	55	45	75	5.3	6.3	87	B
J231-6X-L-XX	6A	96	55	45	75	5.3	6.3	87	B
J231-10X-L-XX	10A	96	55	45	75	5.3	6.3	87	B
J231-16X-L-XX	16A	96	55	45	75	5.3	6.3	87	B
J231-20X-L-XX	20A	96	55	45	75	5.3	6.3	87	B
J232-3X-S-XX	3A	62	46	22	32	5.3	6.3	54	C
J232-6X-S-XX	6A	62	46	22	32	5.3	6.3	54	C
J232-3X-M-XX	3A	85	52	38	63	5.3	6.3	75	D
J232-6X-M-XX	6A	85	52	38	63	5.3	6.3	75	D
J232-10X-M-XX	10A	85	52	38	63	5.3	6.3	75	D
J232-16X-M-XX	16A	85	52	38	63	5.3	6.3	75	D
J232-20X-M-XX	20A	85	52	38	63	5.3	6.3	75	D
J232-3X-L-XX	3A	96	55	45	75	5.3	6.3	87	D
J232-6X-L-XX	6A	96	55	45	75	5.3	6.3	87	D
J232-10X-L-XX	10A	96	55	45	75	5.3	6.3	87	D
J232-16X-L-XX	16A	96	55	45	75	5.3	6.3	87	D
J232-20X-L-XX	20A	96	55	45	75	5.3	6.3	87	D

备注:

1. “X”代表实际滤波电感，可用字母A~Z表示；
2. “XX”代表客户流水号，可用空格或数字00~99代替；
- 3.表中所列尺寸为公司常用规格尺寸，其他规格尺寸均可按照客户要求生产；
- 4.表中数据若有更改恕不另行通知；
- 5.我司可帮忙推荐选型，并提供整机EMC解决方案及技术支持。

REMARKS:

1. “X” stands for the actual filter inductance, which can be represented by the letters A~Z.
2. “XX” stands for the customer’s serial number, which can be replaced by space or number 00~99.
3. The size listed on the table are our common size, other size can be produced according to customer’s requirements.
4. The data in the table are subjected to change without notice.
5. We can help to recommend the selection and provide the EMC solutions and technical supports for the machine.



单相多极通用型滤波器 J241/J242系列

Single-phase Multi-pole Universal Filter ■■■

特点与用途

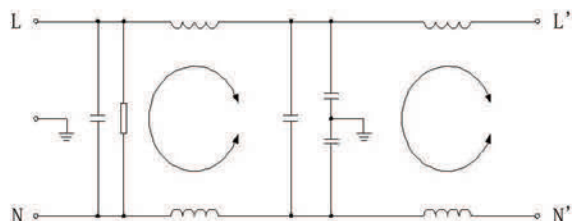
- ◆单相多极通用型交流滤波器;
- ◆结构小巧、安装方便、在150K~30MHz有着卓越的差模和共模滤波效果;
- ◆J241为标准插片引出方式, J242为导线引出方式;
- ◆该系列滤波器可广泛应用于家用电器、开关电源、健身器材、小型工业自动化控制设备、办公设备以及数据通信设备等(超低泄露电流产品还可以满足医疗器械设备要求)。

Features & Applications

- ◆Single-phase Multi-pole Universal AC-filter.
- ◆Compact structure, easy for installing, excellent differential-mode and common-mode filtering effect at 150K ~ 30MHz.
- ◆J241 is the terminal outlet type, J242 is the wire outlet type.
- ◆This series of filters can be widely used in household appliances, switching mode power supply, fitness apparatus, small industrial automation control equipments, office equipments and datacom equipments (ultra-low leakage current products can also meet requirements of medical equipments).



电路原理图 Circuit Schematic



认证 Certification

	美国/加拿大 USA/Canada	E515376		欧洲 Europe	ENEC-03607
--	----------------------	---------	--	--------------	------------

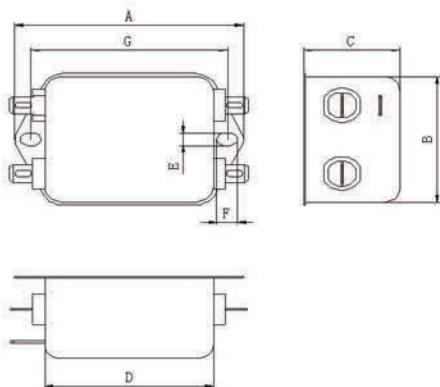
技术参数 Technical Parameter

额定电流 Rated current	3 ~ 20A@40°C
额定电压 Rated voltage	0 ~ 250VAC
气候类别 Climatic category	25/100/21

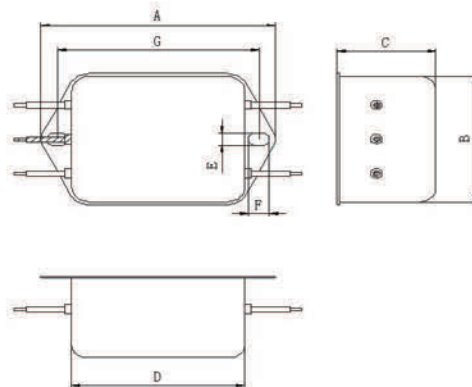
泄漏电流 Leakage current	标准泄露电流 Standard leakage current < 2.5mA@250VAC 低泄露电流 Low leakage current < 0.5mA@250VAC
高压测试 High-voltage test	线-线(L-L) 1450 VDC 1min 线-地(L-G) 2000 VAC 1min
工作频率 Operating frequency	50/60 Hz

外形图 Outline Drawing

● 类型 A
Type A



● 类型 B
Type B



常用规格 Specification

常用型号 Common Type	额定电流 Rated Current	A (mm)	B (mm)	C (mm)	D (mm)	E (mm)	F (mm)	G (mm)	适用外形 Suitable Shape
J241-3X-S-XX	3A	85	52	38	63	5.3	6.3	75	A
J241-6X-S-XX	6A	85	52	38	63	5.3	6.3	75	A
J241-10X-S-XX	10A	85	52	38	63	5.3	6.3	75	A
J241-16X-S-XX	16A	85	52	38	63	5.3	6.3	75	A
J241-20X-S-XX	20A	85	52	38	63	5.3	6.3	75	A
J241-3X-M-XX	3A	115	57.5	45	95	5.3	6.3	103	A
J241-6X-M-XX	6A	115	57.5	45	95	5.3	6.3	103	A
J241-10X-M-XX	10A	115	57.5	45	95	5.3	6.3	103	A
J241-16X-M-XX	16A	115	57.5	45	95	5.3	6.3	103	A
J241-20X-M-XX	20A	115	57.5	45	95	5.3	6.3	103	A
J242-3X-S-XX	3A	85	52	38	63	5.3	6.3	75	B
J242-6X-S-XX	6A	85	52	38	63	5.3	6.3	75	B
J242-10X-S-XX	10A	85	52	38	63	5.3	6.3	75	B
J242-16X-S-XX	16A	85	52	38	63	5.3	6.3	75	B
J242-20X-S-XX	20A	85	52	38	63	5.3	6.3	75	B
J242-3X-M-XX	3A	115	57.5	45	95	5.3	6.3	103	B
J242-6X-M-XX	6A	115	57.5	45	95	5.3	6.3	103	B
J242-10X-M-XX	10A	115	57.5	45	95	5.3	6.3	103	B
J242-16X-M-XX	16A	115	57.5	45	95	5.3	6.3	103	B
J242-20X-M-XX	20A	115	57.5	45	95	5.3	6.3	103	B

备注:

1. “X”代表实际滤波电感，可用字母A~Z表示；
2. “XX”代表客户流水号，可用空格或数字00~99代替；
- 3.表中所示尺寸为公司常用规格尺寸，其他规格尺寸均可按照客户要求生产；
- 4.表中数据若有更改恕不另行通知；
- 5.我司可帮忙推荐选型，并提供整机EMC解决方案及技术支持。

REMARKS:

1. “X” stands for the actual filter inductance, which can be represented by the letters A~Z.
2. “XX” stands for the customer’ s serial number, which can be replaced by space or number 00~99.
- 3.The size listed on the table are our common size, other size can be produced according to customer’ s requirements.
- 4.The data in the table are subjected to change without notice.
- 5.We can help to recommed the selection and provide the EMC solutions and technical supports for the machine.



单相多极通用型滤波器 J251/J252系列

Single-phase Multi-pole Universal Filter ■■■

特点与用途

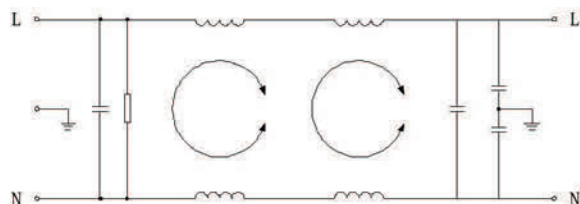
- ◆单相多极通用型交流滤波器;
- ◆结构小巧、安装方便、在150K~30MHz有着卓越的差模和共模滤波效果;
- ◆J251为标准插片引出方式, J252为导线引出方式;
- ◆该系列滤波器可广泛应用于家用电器、开关电源、健身器材、小型工业自动化控制设备、办公设备以及数据通信设备等(超低泄露电流产品还可以满足医疗器械设备要求)。

Features & Applications

- ◆Single-phase Multi-pole Universal AC-filter.
- ◆Compact structure, easy for installing, excellent differential-mode and common-mode filtering effect at 150K ~ 30MHz.
- ◆J251 is the terminal outlet type, J252 is the wire outlet type.
- ◆This series of filters can be widely used in household appliances, switching mode power supply, fitness apparatus, small industrial automation control equipments, office equipments and datacom equipments (ultra-low leakage current products can also meet requirements of medical equipments).



电路原理图 Circuit Schematic



认证 Certification

 cULus	美国/加拿大 USA/Canada	E515376		欧洲 Europe	ENEC-03607
---	----------------------	---------	---	--------------	------------

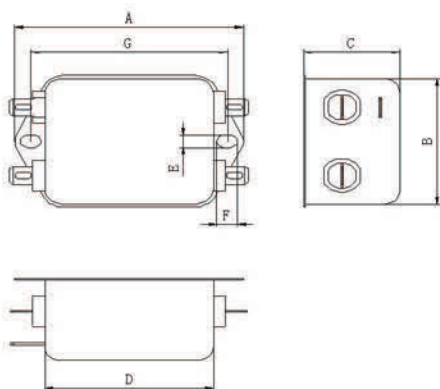
技术参数 Technical Parameter

额定电流 Rated current	3 ~ 20A@40°C
额定电压 Rated voltage	0 ~ 250VAC
气候类别 Climatic category	25/100/21

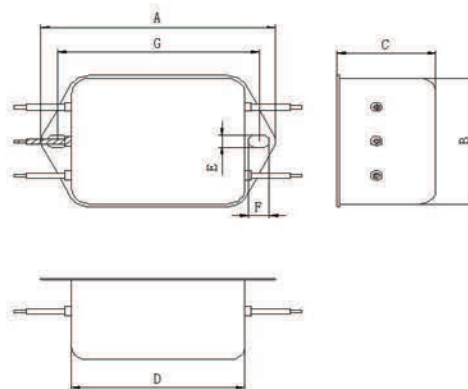
泄漏电流 Leakage current	标准泄露电流 Standard leakage current < 2.5mA@250VAC 低泄露电流 Low leakage current < 0.5mA@250VAC
高压测试 High-voltage test	线-线(L-L) 1450 VDC 1min 线-地(L-G) 2000 VAC 1min
工作频率 Operating frequency	50/60 Hz

外形图 Outline Drawing

● 类型 A
Type A



● 类型 B
Type B



常用规格 Specification

常用型号 Common Type	额定电流 Rated Current	A (mm)	B (mm)	C (mm)	D (mm)	E (mm)	F (mm)	G (mm)	适用外形 Suitable Shape
J251-3X-S-XX	3A	85	52	38	63	5.3	6.3	75	A
J251-6X-S-XX	6A	85	52	38	63	5.3	6.3	75	A
J251-10X-S-XX	10A	85	52	38	63	5.3	6.3	75	A
J251-16X-S-XX	16A	85	52	38	63	5.3	6.3	75	A
J251-20X-S-XX	20A	85	52	38	63	5.3	6.3	75	A
J251-3X-M-XX	3A	115	57.5	45	95	5.3	6.3	103	A
J251-6X-M-XX	6A	115	57.5	45	95	5.3	6.3	103	A
J251-10X-M-XX	10A	115	57.5	45	95	5.3	6.3	103	A
J251-16X-M-XX	16A	115	57.5	45	95	5.3	6.3	103	A
J251-20X-M-XX	20A	115	57.5	45	95	5.3	6.3	103	A
J252-3X-S-XX	3A	85	52	38	63	5.3	6.3	75	B
J252-6X-S-XX	6A	85	52	38	63	5.3	6.3	75	B
J252-10X-S-XX	10A	85	52	38	63	5.3	6.3	75	B
J252-16X-S-XX	16A	85	52	38	63	5.3	6.3	75	B
J252-20X-S-XX	20A	85	52	38	63	5.3	6.3	75	B
J252-3X-M-XX	3A	115	57.5	45	95	5.3	6.3	103	B
J252-6X-M-XX	6A	115	57.5	45	95	5.3	6.3	103	B
J252-10X-M-XX	10A	115	57.5	45	95	5.3	6.3	103	B
J252-16X-M-XX	16A	115	57.5	45	95	5.3	6.3	103	B
J252-20X-M-XX	20A	115	57.5	45	95	5.3	6.3	103	B

备注:

1. “X”代表实际滤波电感，可用字母A~Z表示；
2. “XX”代表客户流水号，可用空格或数字00~99代替；
- 3.表中所列尺寸为公司常用规格尺寸，其他规格尺寸均可按照客户要求生产；
- 4.表中数据若有更改恕不另行通知；
- 5.我司可帮忙推荐选型，并提供整机EMC解决方案及技术支持。

REMARKS:

1. “X” stands for the actual filter inductance, which can be represented by the letters A~Z.
2. “XX” stands for the customer’ s serial number, which can be replaced by space or number 00~99.
- 3.The size listed on the table are our common size, other size can be produced according to customer’ s requirements.
- 4.The data in the table are subjected to change without notice.
- 5.We can help to recommed the selection and provide the EMC solutions and technical supports for the machine.



单相多极通用型滤波器 J261/J262系列

Single-phase Multi-pole Universal Filter ■■■

特点与用途

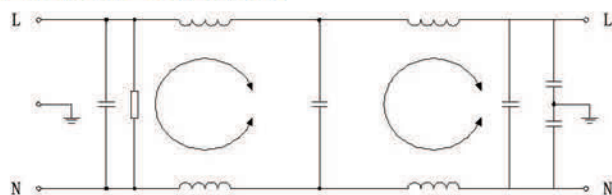
- ◆单相多极通用型交流滤波器;
- ◆结构小巧、安装方便、在150K~30MHz有着卓越的差模和共模滤波效果;
- ◆J261为标准插片引出方式, J262为导线引出方式;
- ◆该系列滤波器可广泛应用于家用电器、开关电源、健身器材、小型工业自动化控制设备、办公设备以及数据通信设备等(超低泄露电流产品还可以满足医疗器械设备要求)。

Features & Applications

- ◆Single-phase Multi-pole Universal AC-filter.
- ◆Compact structure, easy for installing, excellent differential-mode and common-mode filtering effect at 150K ~ 30MHz.
- ◆J261 is the terminal outlet type, J262 is the wire outlet type.
- ◆This series of filters can be widely used in household appliances, switching mode power supply, fitness apparatus, small industrial automation control equipments, office equipments and datacom equipments (ultra-low leakage current products can also meet requirements of medical equipments).



电路原理图 Circuit Schematic



认证 Certification

	美国/加拿大 USA/Canada	E515376		欧洲 Europe	ENEC-03607
--	----------------------	---------	--	--------------	------------

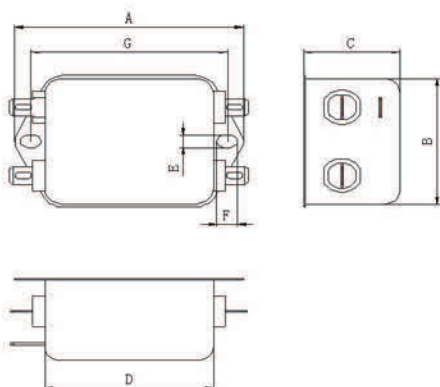
技术参数 Technical Parameter

额定电流 Rated current	3 ~ 20A@40°C
额定电压 Rated voltage	0 ~ 250VAC
气候类别 Climatic category	25/100/21

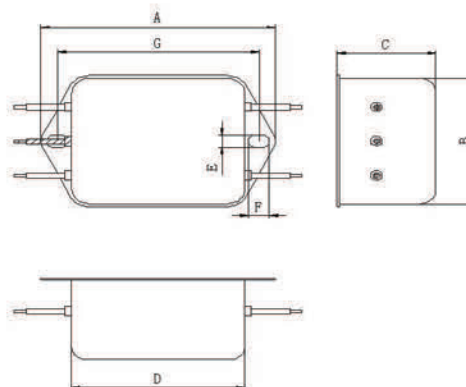
泄漏电流 Leakage current	标准泄露电流 Standard leakage current < 2.5mA@250VAC 低泄露电流 Low leakage current < 0.5mA@250VAC
高压测试 High-voltage test	线-线(L-L) 1450 VDC 1min 线-地(L-G) 2000 VAC 1min
工作频率 Operating frequency	50/60 Hz

外形图 Outline Drawing

● 类型 A
Type A



● 类型 B
Type B



常用规格 Specification

常用型号 Common Type	额定电流 Rated Current	A (mm)	B (mm)	C (mm)	D (mm)	E (mm)	F (mm)	G (mm)	适用外形 Suitable Shape
J261-3X-S-XX	3A	85	52	38	63	5.3	6.3	75	A
J261-6X-S-XX	6A	85	52	38	63	5.3	6.3	75	A
J261-10X-S-XX	10A	85	52	38	63	5.3	6.3	75	A
J261-16X-S-XX	16A	85	52	38	63	5.3	6.3	75	A
J261-20X-S-XX	20A	85	52	38	63	5.3	6.3	75	A
J261-3X-M-XX	3A	115	57.5	45	95	5.3	6.3	103	A
J261-6X-M-XX	6A	115	57.5	45	95	5.3	6.3	103	A
J261-10X-M-XX	10A	115	57.5	45	95	5.3	6.3	103	A
J261-16X-M-XX	16A	115	57.5	45	95	5.3	6.3	103	A
J261-20X-M-XX	20A	115	57.5	45	95	5.3	6.3	103	A
J262-3X-S-XX	3A	85	52	38	63	5.3	6.3	75	B
J262-6X-S-XX	6A	85	52	38	63	5.3	6.3	75	B
J262-10X-S-XX	10A	85	52	38	63	5.3	6.3	75	B
J262-16X-S-XX	16A	85	52	38	63	5.3	6.3	75	B
J262-20X-S-XX	20A	85	52	38	63	5.3	6.3	75	B
J262-3X-M-XX	3A	115	57.5	45	95	5.3	6.3	103	B
J262-6X-M-XX	6A	115	57.5	45	95	5.3	6.3	103	B
J262-10X-M-XX	10A	115	57.5	45	95	5.3	6.3	103	B
J262-16X-M-XX	16A	115	57.5	45	95	5.3	6.3	103	B
J262-20X-M-XX	20A	115	57.5	45	95	5.3	6.3	103	B

备注:

1. “X”代表实际滤波电感，可用字母A~Z表示；
2. “XX”代表客户流水号，可用空格或数字00~99代替；
- 3.表中所示尺寸为公司常用规格尺寸，其他规格尺寸均可按照客户要求生产；
- 4.表中数据若有更改恕不另行通知；
- 5.我司可帮忙推荐选型，并提供整机EMC解决方案及技术支持。

REMARKS:

1. “X” stands for the actual filter inductance, which can be represented by the letters A~Z.
2. “XX” stands for the customer’ s serial number, which can be replaced by space or number 00~99.
- 3.The size listed on the table are our common size, other size can be produced according to customer’ s requirements.
- 4.The data in the table are subjected to change without notice.
- 5.We can help to recommed the selection and provide the EMC solutions and technical supports for the machine.



单相多极通用型滤波器 J271/J272系列

Single-phase Multi-pole Universal Filter ■■■

特点与用途

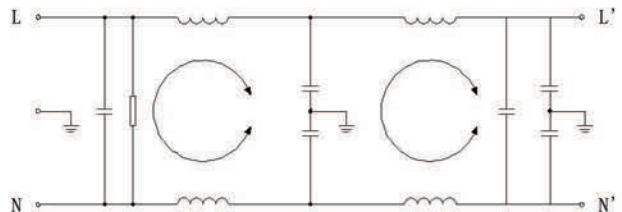
- ◆单相多极通用型交流滤波器;
- ◆结构小巧、安装方便、在150K~30MHz有着卓越的差模和共模滤波效果;
- ◆J271为标准插片引出方式, J272为导线引出方式;
- ◆该系列滤波器可广泛应用于家用电器、开关电源、健身器材、小型工业自动化控制设备、办公设备以及数据通信设备等(超低泄露电流产品还可以满足医疗器械设备要求)。

Features & Applications

- ◆Single-phase Multi-pole Universal AC-filter.
- ◆Compact structure, easy for installing, excellent differential-mode and common-mode filtering effect at 150K ~ 30MHz.
- ◆J271 is the terminal outlet type, J272 is the wire outlet type.
- ◆This series of filters can be widely used in household appliances, switching mode power supply, fitness apparatus, small industrial automation control equipments, office equipments and datacom equipments (ultra-low leakage current products can also meet requirements of medical equipments).



电路原理图 Circuit Schematic



认证 Certification

 c UL us	美国/加拿大 USA/Canada	E515376	 15	欧洲 Europe	ENEC-03607
--	----------------------	---------	--	--------------	------------

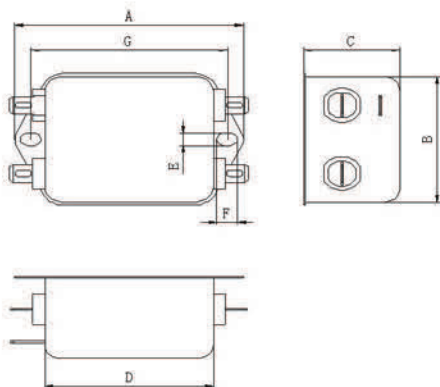
技术参数 Technical Parameter

额定电流 Rated current	3 ~ 20A@40°C
额定电压 Rated voltage	0 ~ 250VAC
气候类别 Climatic category	25/100/21

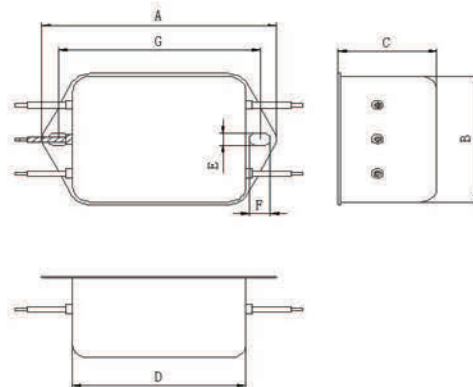
泄漏电流 Leakage current	标准泄露电流 Standard leakage current < 2.5mA@250VAC 低泄露电流 Low leakage current < 0.5mA@250VAC
高压测试 High-voltage test	线-线(L-L) 1450 VDC 1min 线-地(L-G) 2000 VAC 1min
工作频率 Operating frequency	50/60 Hz

外形图 Outline Drawing

● 类型 A
Type A



● 类型 B
Type B



常用规格 Specification

常用型号 Common Type	额定电流 Rated Current	A (mm)	B (mm)	C (mm)	D (mm)	E (mm)	F (mm)	G (mm)	适用外形 Suitable Shape
J271-3X-S-XX	3A	85	52	38	63	5.3	6.3	75	A
J271-6X-S-XX	6A	85	52	38	63	5.3	6.3	75	A
J271-10X-S-XX	10A	85	52	38	63	5.3	6.3	75	A
J271-16X-S-XX	16A	85	52	38	63	5.3	6.3	75	A
J271-20X-S-XX	20A	85	52	38	63	5.3	6.3	75	A
J271-3X-M-XX	3A	115	57.5	45	95	5.3	6.3	103	A
J271-6X-M-XX	6A	115	57.5	45	95	5.3	6.3	103	A
J271-10X-M-XX	10A	115	57.5	45	95	5.3	6.3	103	A
J271-16X-M-XX	16A	115	57.5	45	95	5.3	6.3	103	A
J271-20X-M-XX	20A	115	57.5	45	95	5.3	6.3	103	A
J272-3X-S-XX	3A	85	52	38	63	5.3	6.3	75	B
J272-6X-S-XX	6A	85	52	38	63	5.3	6.3	75	B
J272-10X-S-XX	10A	85	52	38	63	5.3	6.3	75	B
J272-16X-S-XX	16A	85	52	38	63	5.3	6.3	75	B
J272-20X-S-XX	20A	85	52	38	63	5.3	6.3	75	B
J272-3X-M-XX	3A	115	57.5	45	95	5.3	6.3	103	B
J272-6X-M-XX	6A	115	57.5	45	95	5.3	6.3	103	B
J272-10X-M-XX	10A	115	57.5	45	95	5.3	6.3	103	B
J272-16X-M-XX	16A	115	57.5	45	95	5.3	6.3	103	B
J272-20X-M-XX	20A	115	57.5	45	95	5.3	6.3	103	B

备注:

1. “X”代表实际滤波电感，可用字母A~Z表示；
2. “XX”代表客户流水号，可用空格或数字00~99代替；
- 3.表中所示尺寸为公司常用规格尺寸，其他规格尺寸均可按照客户要求生产；
- 4.表中数据若有更改恕不另行通知；
- 5.我司可帮忙推荐选型，并提供整机EMC解决方案及技术支持。

REMARKS:

1. “X” stands for the actual filter inductance, which can be represented by the letters A~Z.
2. “XX” stands for the customer’ s serial number, which can be replaced by space or number 00~99.
- 3.The size listed on the table are our common size, other size can be produced according to customer’ s requirements.
- 4.The data in the table are subjected to change without notice.
- 5.We can help to recommed the selection and provide the EMC solutions and technical supports for the machine.



单相多极通用型滤波器 J281/J282系列

Single-phase Multi-pole Universal Filter ■■■

特点与用途

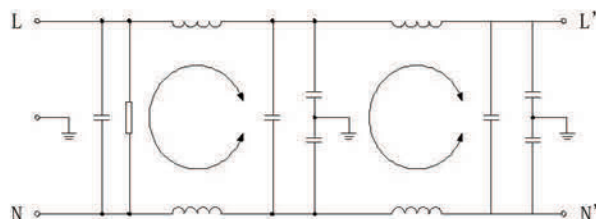
- ◆单相多极通用型交流滤波器;
- ◆结构小巧、安装方便、在150K~30MHz有着卓越的差模和共模滤波效果;
- ◆J281为标准插片引出方式, J282为导线引出方式;
- ◆该系列滤波器可广泛应用于家用电器、开关电源、健身器材、小型工业自动化控制设备、办公设备以及数据通信设备等(超低泄露电流产品还可以满足医疗器械设备要求)。

Features & Applications

- ◆Single-phase Multi-pole Universal AC-filter.
- ◆Compact structure, easy for installing, excellent differential-mode and common-mode filtering effect at 150K ~ 30MHz.
- ◆J281 is the terminal outlet type, J282 is the wire outlet type.
- ◆This series of filters can be widely used in household appliances, switching mode power supply, fitness apparatus, small industrial automation control equipments, office equipments and datacom equipments (ultra-low leakage current products can also meet requirements of medical equipments).



电路原理图 Circuit Schematic



认证 Certification

	美国/加拿大 USA/Canada	E515376		欧洲 Europe	ENEC-03607
--	----------------------	---------	--	--------------	------------

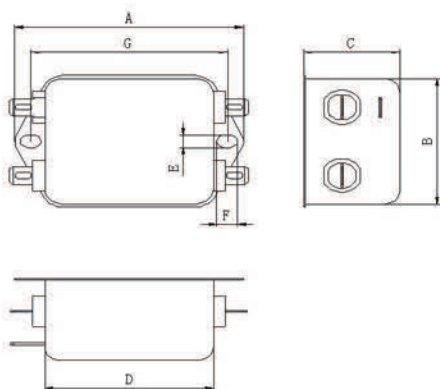
技术参数 Technical Parameter

额定电流 Rated current	3 ~ 20A@40°C
额定电压 Rated voltage	0 ~ 250VAC
气候类别 Climatic category	25/100/21

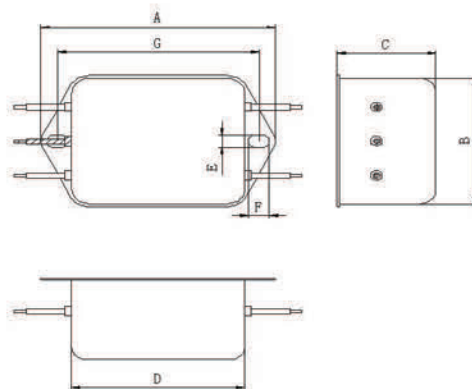
泄漏电流 Leakage current	标准泄露电流 Standard leakage current < 2.5mA@250VAC 低泄露电流 Low leakage current < 0.5mA@250VAC
高压测试 High-voltage test	线-线(L-L) 1450 VDC 1min 线-地(L-G) 2000 VAC 1min
工作频率 Operating frequency	50/60 Hz

外形图 Outline Drawing

● 类型 A
Type A



● 类型 B
Type B



常用规格 Specification

常用型号 Common Type	额定电流 Rated Current	A (mm)	B (mm)	C (mm)	D (mm)	E (mm)	F (mm)	G (mm)	适用外形 Suitable Shape
J281-3X-S-XX	3A	85	52	38	63	5.3	6.3	75	A
J281-6X-S-XX	6A	85	52	38	63	5.3	6.3	75	A
J281-10X-S-XX	10A	85	52	38	63	5.3	6.3	75	A
J281-16X-S-XX	16A	85	52	38	63	5.3	6.3	75	A
J281-20X-S-XX	20A	85	52	38	63	5.3	6.3	75	A
J281-3X-M-XX	3A	115	57.5	45	95	5.3	6.3	103	A
J281-6X-M-XX	6A	115	57.5	45	95	5.3	6.3	103	A
J281-10X-M-XX	10A	115	57.5	45	95	5.3	6.3	103	A
J281-16X-M-XX	16A	115	57.5	45	95	5.3	6.3	103	A
J281-20X-M-XX	20A	115	57.5	45	95	5.3	6.3	103	A
J282-3X-S-XX	3A	85	52	38	63	5.3	6.3	75	B
J282-6X-S-XX	6A	85	52	38	63	5.3	6.3	75	B
J282-10X-S-XX	10A	85	52	38	63	5.3	6.3	75	B
J282-16X-S-XX	16A	85	52	38	63	5.3	6.3	75	B
J282-20X-S-XX	20A	85	52	38	63	5.3	6.3	75	B
J282-3X-M-XX	3A	115	57.5	45	95	5.3	6.3	103	B
J282-6X-M-XX	6A	115	57.5	45	95	5.3	6.3	103	B
J282-10X-M-XX	10A	115	57.5	45	95	5.3	6.3	103	B
J282-16X-M-XX	16A	115	57.5	45	95	5.3	6.3	103	B
J282-20X-M-XX	20A	115	57.5	45	95	5.3	6.3	103	B

备注:

1. “X”代表实际滤波电感，可用字母A~Z表示；
2. “XX”代表客户流水号，可用空格或数字00~99代替；
- 3.表中所示尺寸为公司常用规格尺寸，其他规格尺寸均可按照客户要求生产；
- 4.表中数据若有更改恕不另行通知；
- 5.我司可帮忙推荐选型，并提供整机EMC解决方案及技术支持。

REMARKS:

1. “X” stands for the actual filter inductance, which can be represented by the letters A~Z.
2. “XX” stands for the customer’ s serial number, which can be replaced by space or number 00~99.
- 3.The size listed on the table are our common size, other size can be produced according to customer’ s requirements.
- 4.The data in the table are subjected to change without notice.
- 5.We can help to recommed the selection and provide the EMC solutions and technical supports for the machine.



单相谐波滤波器 J291/J292系列

Single-phase Harmonic Filter

特点与用途

- ◆单相谐波滤波器，集滤波和治理谐波功能于一体；
- ◆结构小巧、安装方便；
- ◆J291为标准插片引出方式，J292为导线引出方式；
- ◆广泛应用于家用电器、运动健身器材和车载制冷空调等。

Features & Applications

- ◆Single-phase harmonic filter, integrating filtering and harmonic control functions.
- ◆Compact structure, easy for installing.
- ◆J291 is the terminal outlet type, J292 is the wire outlet type.
- ◆Widely used in household appliances, fitness apparatus and car air-conditioner.



认证 Certification

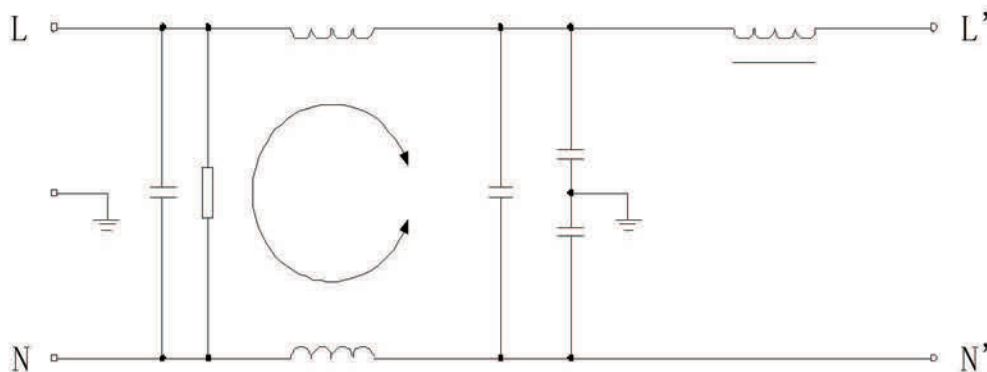
	美国/加拿大 USA/Canada	E515376		欧洲 Europe	ENEC-03607
--	----------------------	---------	--	--------------	------------

技术参数 Technical Parameter

额定电流 Rated current	3 ~ 10A@40°C
额定电压 Rated voltage	0 ~ 250VAC
气候类别 Climatic category	25/100/21
绝缘电阻 Insulation resistance	≥100MΩ@500VDC

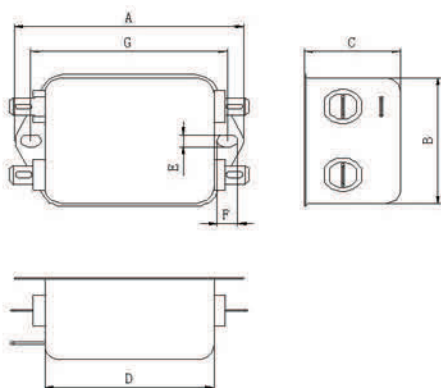
泄漏电流 Leakage current	标准泄漏电流 Standard leakage current <2.5mA@250VAC 低泄漏电流 Low leakage current <0.5mA@250VAC
高压测试 High-voltage test	线-线(L-L) 1450 VDC 1min 线-地(L-G) 2000 VAC 1min
工作频率 Operating frequency	50/60 Hz

电路原理图 Circuit Schematic

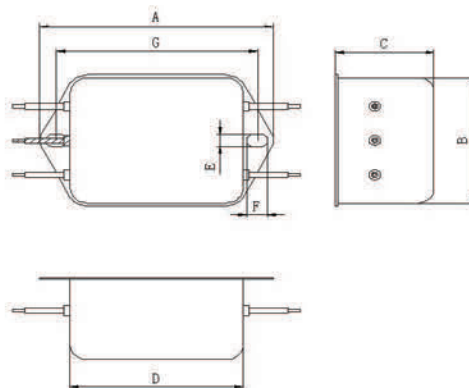


外形图 Outline Drawing

● 类型 A
Type A



● 类型 B
Type B



常用规格 Specification

常用型号 Common Type	额定电流 Rated Current	A (mm)	B (mm)	C (mm)	D (mm)	E (mm)	F (mm)	G (mm)	适用外形 Suitable Shape
J291-3X-M-XX	3A	115	57.5	45	95	5.3	6.3	103	A
J291-6X-M-XX	6A	153	57.5	45	131	5.3	6.3	143	A
J291-10X-M-XX	10A	153	57.5	45	131	5.3	6.3	143	A
J292-3X-M-XX	3A	115	57.5	45	95	5.3	6.3	103	B
J292-6X-M-XX	6A	153	57.5	45	131	5.3	6.3	143	B
J292-10X-M-XX	10A	153	57.5	45	131	5.3	6.3	143	B

备注:

- “X”代表实际滤波电感，可用字母A~Z表示；
- “XX”代表客户流水号，可用空格或数字00~99代替；
- 表中所列尺寸为公司常用规格尺寸，其他规格尺寸均可按照客户要求生产；
- 表中数据若有更改恕不另行通知；
- 我司可帮忙推荐选型，并提供整机EMC解决方案及技术支持。

REMARKS:

- “X” stands for the actual filter inductance, which can be represented by the letters A~Z.
- “XX” stands for the customer's serial number, which can be replaced by space or number 00~99.
- The size listed on the table are our common size, other size can be produced according to customer's requirements.
- The data in the table are subjected to change without notice.
- We can help to recommend the selection and provide the EMC solutions and technical supports for the machine.



三相三线电梯/扶梯滤波器

YHDQ-J354-XX

Three-phase Three-wire Elevator / Escalator Filter

特点与用途

- ◆ 三相三线（不带中线）工业级电源滤波器；
- ◆ 扁长型结构，欧式穿墙端子出线方式，设计安全可靠；
- ◆ 与客户整梯匹配可满足EN12015（GB/T24807）不同电流段传导发射限值；
- ◆ 广泛应用于电梯、扶梯、人行道等系列产品控制柜中。

Features & Applications

- ◆ Three-phase Three-wire (without neutral) Industrial Grade EMI Filter.
- ◆ Flat and long structure, european through-wall terminal outlet mood, safe and reliable design.
- ◆ Matching with the customer's entire ladder can meet the conduction emission limits of different current segments of EN12015 (GB / T24807).
- ◆ Widely used in the control cabinets of elevators, escalators, sidewalks and others.

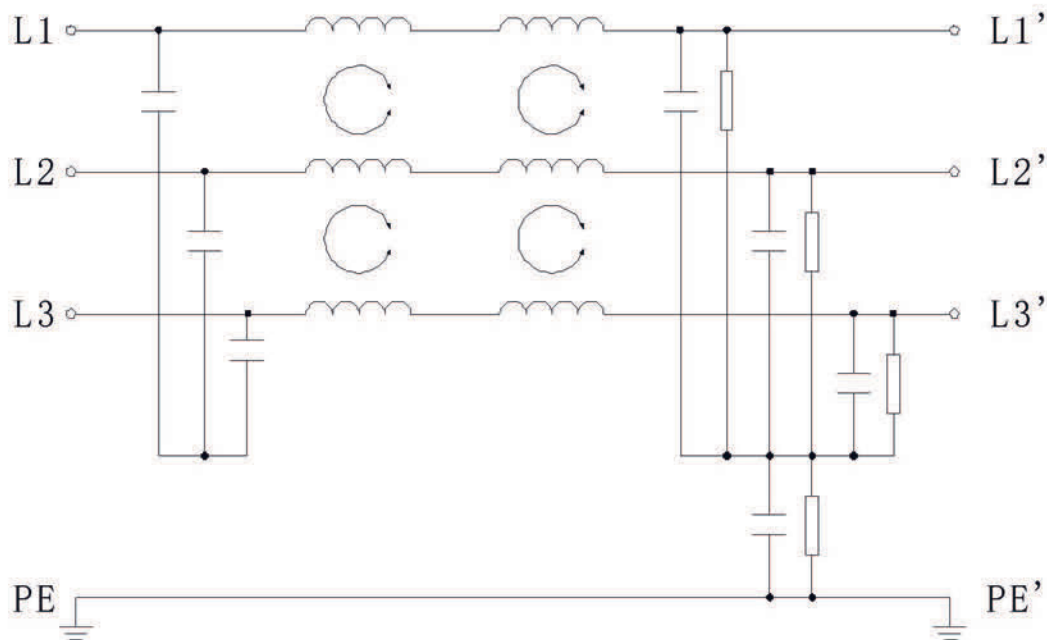


技术参数 Technical Parameter

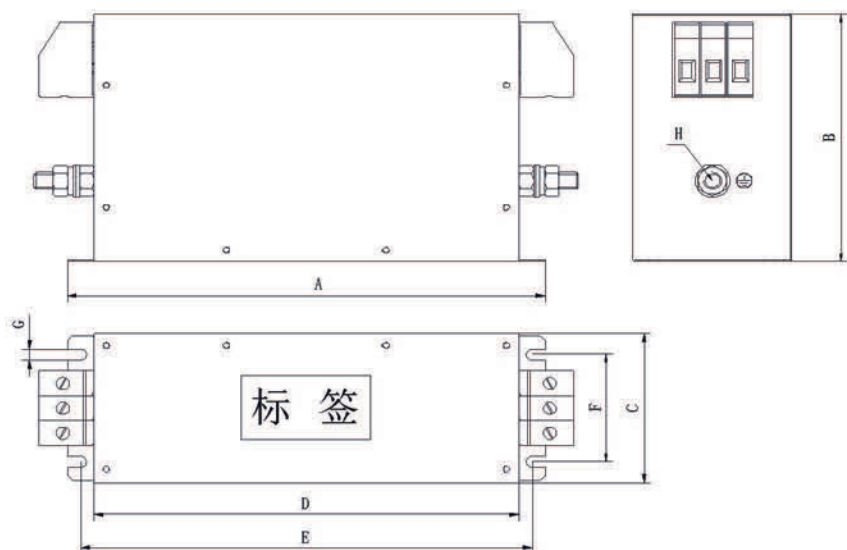
额定电流 Rated current	7 ~ 180A
额定电压 Rated voltage	480VAC Max
环境温度 Operating temperature	-20°C ~ +50°C
泄漏电流 Leakage current	≤100mA@380VAC

绝缘电阻 Insulation resistance	≥1MΩ @500VDC
高压测试 High-voltage test	线-线(L-L) 1450 VDC 1min 线-地(L-G) 2250 VDC 1min
工作频率 Operating frequency	50/60 Hz

电路原理图 Circuit Schematic



外形图 Outline Drawing



常用规格 Specification

常用型号 Common Type	电流 Current	A	B	C	D	E	F	G	H	推荐电机功率 Recommended Motor Power
YHDQ-J354-7A	7A	190	70	40	160	180	20	4.5	M5	3.7KW
YHDQ-J354-16A	16A	250	70	45	220	235	25	5.4	M5	7.5KW
YHDQ-J354-30A	30A	270	85	50	240	255	30	5.4	M5	15KW
YHDQ-J354-42A	42A	310	85	50	280	295	30	5.4	M6	22KW
YHDQ-J354-55A	55A	250	90	85	220	235	60	5.4	M6	30KW
YHDQ-J354-75A	75A	270	135	80	240	255	60	6.5	M6	37KW
YHDQ-J354-100A	100A	270	150	90	240	255	65	6.5	M10	45KW
YHDQ-J354-130A	130A	270	150	90	240	255	65	6.5	M10	55KW
YHDQ-J354-150A	150A	270	150	90	240	255	65	6.5	M10	75KW
YHDQ-J354-180A	180A	380	170	120	350	365	102	6.5	M10	90KW

备注:

- 1、表中所列尺寸为公司常用规格尺寸，其他规格尺寸均可按照客户要求生产；
- 2、可根据客户要求定制电抗器；
- 3、我司可推荐选型，并提供谐波抑制和处理方案及技术支持。

REMARKS:

- 1.The dimension on the above chart is our common specifications, we can produce as customer's requests.
- 2.The reactor can be customized according to customer's requests.
- 3.We can recommend the selection and provide the harmonic suppression, solutions and technical supports.



三相四线电梯/扶梯滤波器

Three-phase Four-wire Elevator / Escalator Filter

YHDQ-J454-XX

特点与用途

- ◆ 三相四线（带中线）工业级电源滤波器；
- ◆ 扁长型结构，欧式穿墙端子出线方式，设计安全可靠；
- ◆ 与客户整梯配合通过EN12015（GB/T24807）不同电流段传导发射限值；
- ◆ 广泛应用于电梯、扶梯、人行道等系列产品控制柜中。

Features & Applications

- ◆ Three-phase Four-wire (without neutral) Industrial Grade EMI Filter.
- ◆ Flat and long structure, european through-wall terminal outlet mood, safe and reliable design.
- ◆ Matching with the customer's entire ladder can meet the conduction emission limits of different current segments of EN12015 (GB / T24807).
- ◆ Widely used in the control cabinets of elevators, escalators, sidewalks and others.

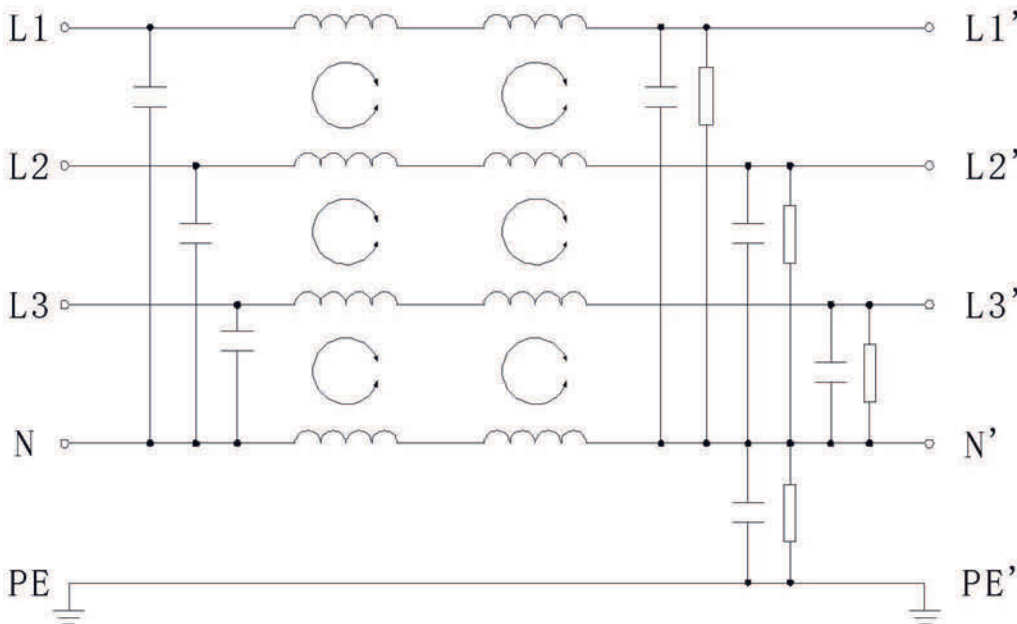


技术参数 Technical Parameter

额定电流 Rated current	7 ~ 180A
额定电压 Rated voltage	480VAC Max
环境温度 Operating temperature	-20°C ~ +50°C
泄漏电流 Leakage current	≤100mA@380VAC

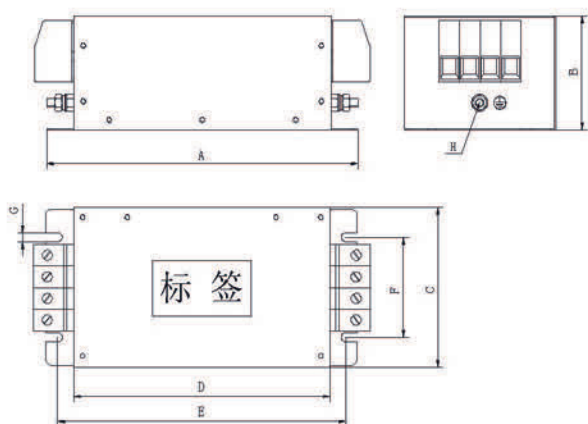
绝缘电阻 Insulation resistance	≥1MΩ@500VDC
高压测试 High-voltage test	线-线(L-L) 1450 VDC 1min
	线-地(N-G) 1450 VDC 1min
	线-地(L-G) 2250 VDC 1min
工作频率 Operating frequency	50/60 Hz

电路原理图 Circuit Schematic

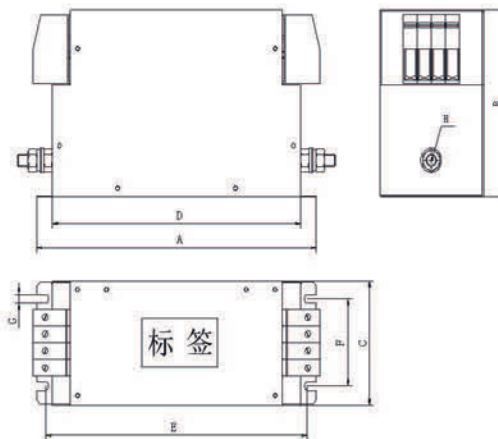


外形图 Outline Drawing

● 类型 A
Type A



● 类型 B
Type B



常用规格 Specification

常用型号 Common Type	电流 Current	A	B	C	D	E	F	G	H	适用外形 Suitable Shape	推荐电机功率 Recommended Motor Power
YHDQ-J454-7A	7A	230	80	112	190	213	70	6.5	M6	A	3.7KW
YHDQ-J454-16A	16A	230	80	112	190	213	70	6.5	M6	A	7.5KW
YHDQ-J454-30A	30A	230	80	112	190	213	70	6.5	M6	A	15KW
YHDQ-J454-42A	42A	230	80	112	190	213	70	6.5	M6	A	22KW
YHDQ-J454-55A	55A	260	80	112	220	243	90	6.5	M6	A	30KW
YHDQ-J454-75A	75A	260	80	112	220	243	90	6.5	M6	A	37KW
YHDQ-J454-100A	100A	260	80	112	220	243	90	6.5	M6	A	45KW
YHDQ-J454-130A	130A	270	150	100	240	253	70	6.5	M10	B	55KW
YHDQ-J454-150A	150A	270	150	100	240	253	70	6.5	M10	B	75KW
YHDQ-J454-180A	180A	270	150	100	240	253	70	6.5	M10	B	90KW

备注:

- 1、表中所列尺寸为公司常用规格尺寸，其他规格尺寸均可按照客户要求生产；
- 2、表中数据若有更改恕不另行通知；
- 3、可提供整机EMC整改测试方案和技术支持。

REMARKS:

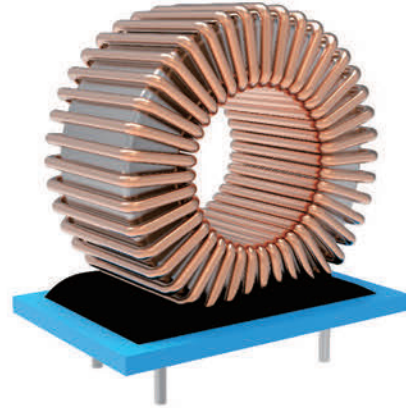
- 1.The dimension on the above chart is our common specifications, we can produce as customer's requests.
- 2.The datas are subject to change without notice.
- 3.We can recommend the selection and provide the EMC rectification test solutions and technical supports.

特点与用途

- ◆ 共模电感、差模电感、功率电感；
- ◆ 采用锰锌、镍锌、铁粉芯、铁硅铝、非晶等材质；
- ◆ 各种结构尺寸、脚距、排距、底座尺寸可根据客户需求进行定制；
- ◆ 广泛应用于开关电源、整流器、晶闸管控制电路、输出扼流和EMI/RFI扼流圈、滤波器及其他线路板产品。

Features & Applications

- ◆ Common mode inductors, differential mode inductors, power inductors.
- ◆ Use manganese-zinc, nickel-zinc, iron powder core, sendust, amorphous and other materials.
- ◆ Various structure and sizes, foot pitches, row pitches, and base sizes can be customized according to customer needs).
- ◆ It is widely used in switching power supplies, rectifiers, thyristor control circuits, output chokes and EMI/RFI chokes, filters and other circuit board products.



技术参数

Technical Parameter

额定电流 Rated current	1 ~ 40A
绝缘等级 Insulation Class	≥B级(class) (130°C)

绝缘电阻 Insulation resistance	绕组-绕组 (Winding-Winding) ≥100MΩ@500VDC 绕组-外壳 (Winding-Casing) ≥100MΩ@500VDC
高压测试 High-voltage test	绕组-绕组 (Winding-Winding) 1500VAC/1min 绕组-外壳 (Winding-Casing) 2000VAC/1min

电路原理图

Circuit Schematic

1. 差模线圈

Differential Mode Coil



2. 单相共模线圈

Single-phase Common Mode Coil



3. 三相三线共模线圈

Three-phase Three-wire Common Mode Coil

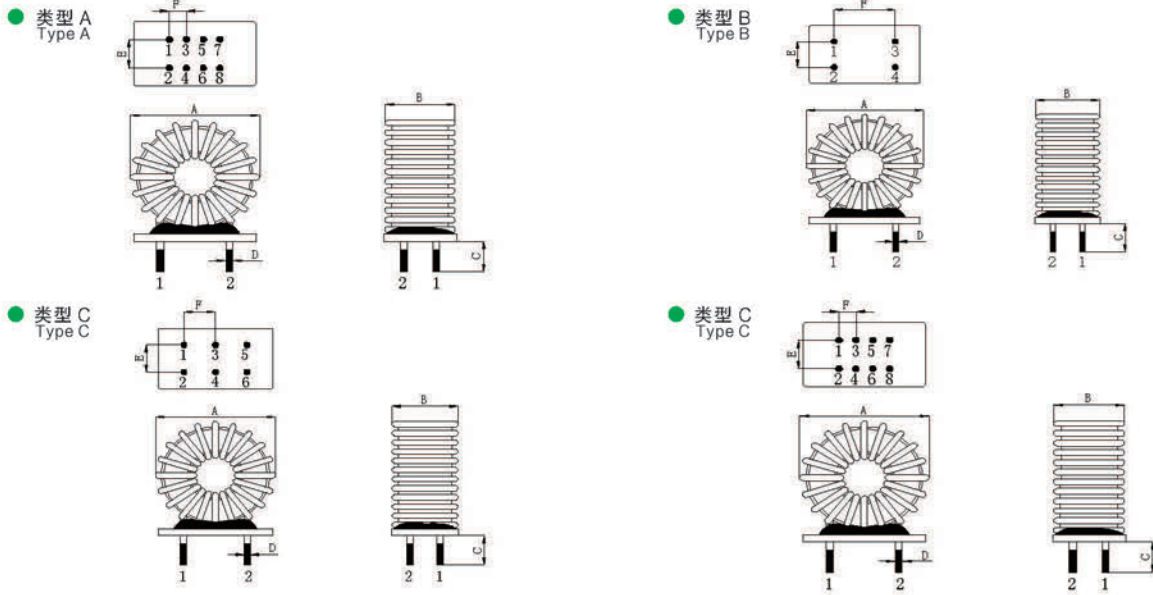


4. 三相四线共模线圈

Three-phase Four-wire Common Mode Coil



外形图 Outline Drawing



常用规格 Specification

磁环电感型号 Magnetic ring inductance model	电感值 Inductance Value	A(mm)	B(mm)	工作频率 Working Frequency	目录 List
T8*4*3	0.2mH-1.0mH	12	7	10KHZ-10MHZ	数据更新中 Data updating
T9*5*3	0.8mH-3.0mH	13	7	10KHZ-10MHZ	
T10*6*5	0.8mH-3.1mH	14	9	10KHZ-10MHZ	
T12*6*4	1.5mH-4.0mH	16	8.5	10KHZ-10MHZ	
T14*9*5	1.5mH-4.5mH	18	10	10KHZ-10MHZ	
T16*9*5	1.8mH-5.0mH	20	10	10KHZ-10MHZ	
T18*10*8	2.5mH-6.0mH	23	13	10KHZ-10MHZ	
T20*10*10	3.0mH-10.0mH	24	15	10KHZ-10MHZ	
T22*14*8	3.5mH-12.0mH	26	13	10KHZ-10MHZ	
T25*15*10	5.0mH-20.0mH	30	15	10KHZ-10MHZ	
T25*15*13	5.0mH-25.0mH	30	18	10KHZ-10MHZ	
T31*19*13	3.0mH-25.0mH	36	18	10KHZ-10MHZ	
T38*19*13	3.0mH-25.0mH	44	18	10KHZ-10MHZ	
T48*30*15	10.0mH-30.0mH	54	20	10KHZ-10MHZ	
T78*50*16	10.0mH-50.0mH	88	25	10KHZ-10MHZ	
T85*55*25	10.2mH-50.0mH	96	40	10KHZ-10MHZ	
T102*65*20	10.2mH-50.0mH	115	40	10KHZ-10MHZ	

备注:

- 1、表中所示尺寸为公司常用规格尺寸，其他规格尺寸均可按照客户要求生产；
- 2、可根据客户要求定制电抗器；
- 3、我司可推荐选型，并提供谐波抑制和处理方案及技术支持。

REMARKS:

- 1.The dimension on the above chart is our common specifications, we can produce as customer's requests.
- 2.The reactor can be customized according to customer's requests.
- 3.We can recommend the selection and provide the harmonic suppression, solutions and technical supports.



企业文化

Culture ■■■

经营理念

诚信合作、以人为本、共享双赢

企业目标

成为国内薄膜电容器和滤波器行业领军品牌
成为国际薄膜电容器和滤波器行业一流品牌

品牌主张

质量是企业大厦根基
顾客是企业生命源泉

Operation Philosophy

Collaboration, people oriented, mutually beneficial
Win-Win

Business Goals

To be the leading brand in the film capacitor and
filter industry at home and abroad

Brand Philosophy

Quality is the foundation of the company
Customers are the lifeline of the company



联系我们

■ Contact Us



如果您需要我们的产品或者想了解更多，请您联系我们，我们将诚心诚意为您提供专业、优质的服务。

For more information you need, please contact to us. We will provide the professional and excellent services to you sincerely.



中国 安徽 宁国市 振宁路 31号
No.31 Zhenning Road, Ningguo,
Anhui Province, China

☎ +86 563-4183767/4186118

☎ +86 563-4012888

✉ czy@ngyh.com

🌐 www.ngyh.com

🌐 www.ruva-capacitors.com



RUVA[®]

宁国市裕华电器有限公司

Ningguo Yuhua Electrical Products Co., LTD

 中国 安徽 宁国市 振宁路 31号
No.31 Zhenning Road, Ningguo, Anhui Province, China

 +86 563-4183767/4186118

 +86 563-4012888

 czy@ngyh.com

 www.ngyh.com

www.ruva-capacitors.com

版本Edition: 2022版



* 注：本资料经过仔细核对力求准确，若有任何错漏产生之误差，尤其是文本涉及型号、功能、参数请以具体产品铭牌为准！
* Note: This information is carefully compiled and reviewed to ensure accuracy. If any errors caused, especially to the model, function, parameter, please refer to the specific product label.